

Parts Book



Parts Book

GENERATOR DIESEL ENGINE

DP180LBS

DP180LAS

DP180LBF

DP180LAF

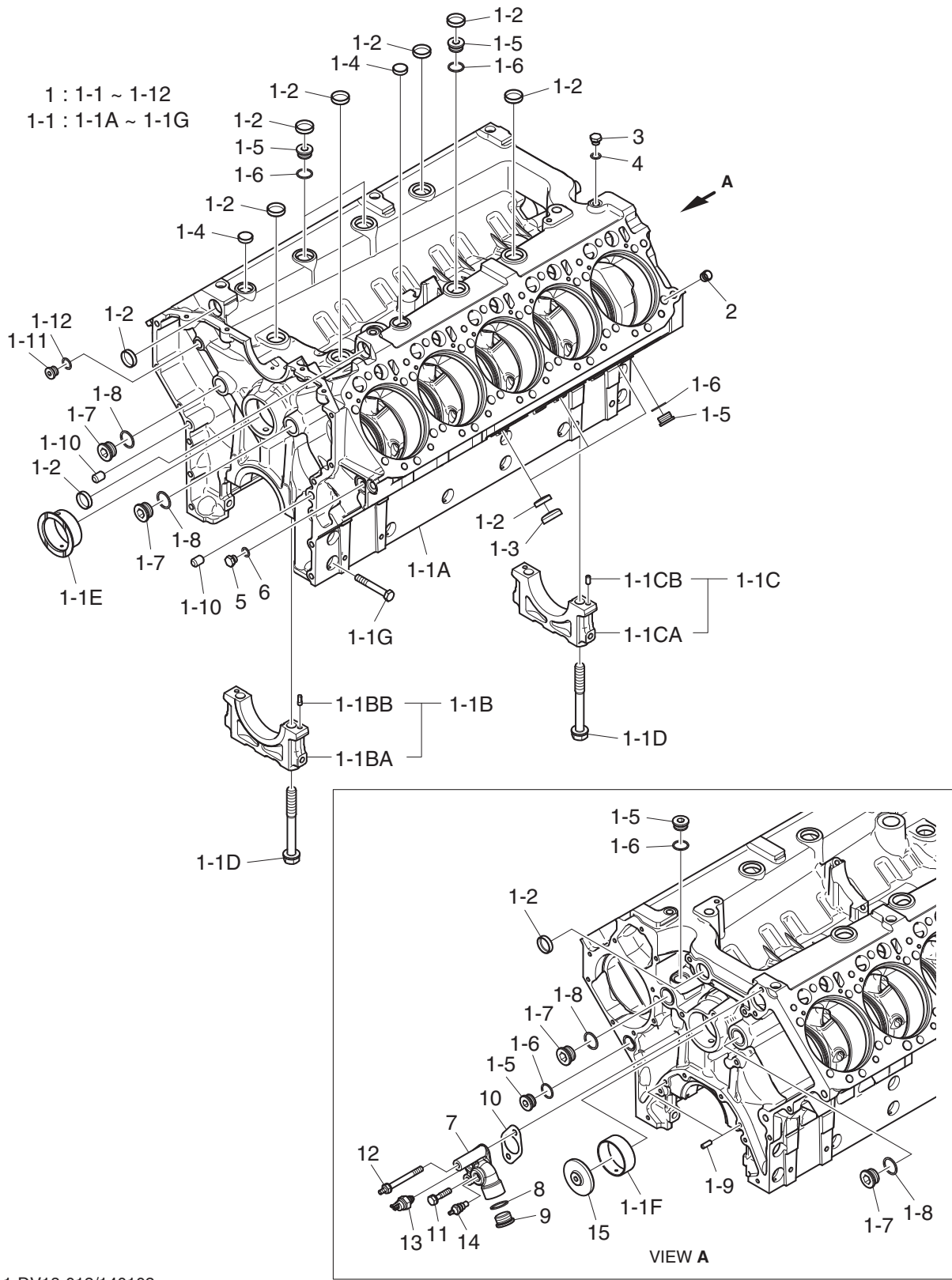
DP180LBS, DP180LAS, DP180LBF, DP180LAF



Doosan Infracore Co., Ltd.
Head Office & Incheon Plant
7-11, Hwasu-Dong, Dong-Gu,
Incheon, Korea 401-702
TEL:+82-32-211-1114
FAX:+82-32-211-1231

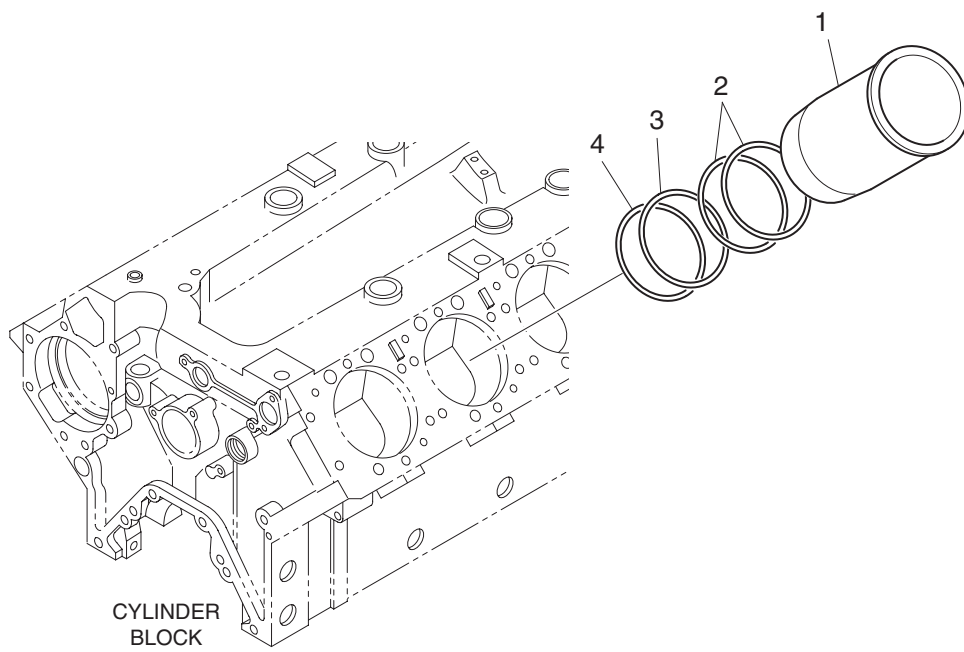
Doosan Infracore

Fig.0110 CYLINDER BLOCK



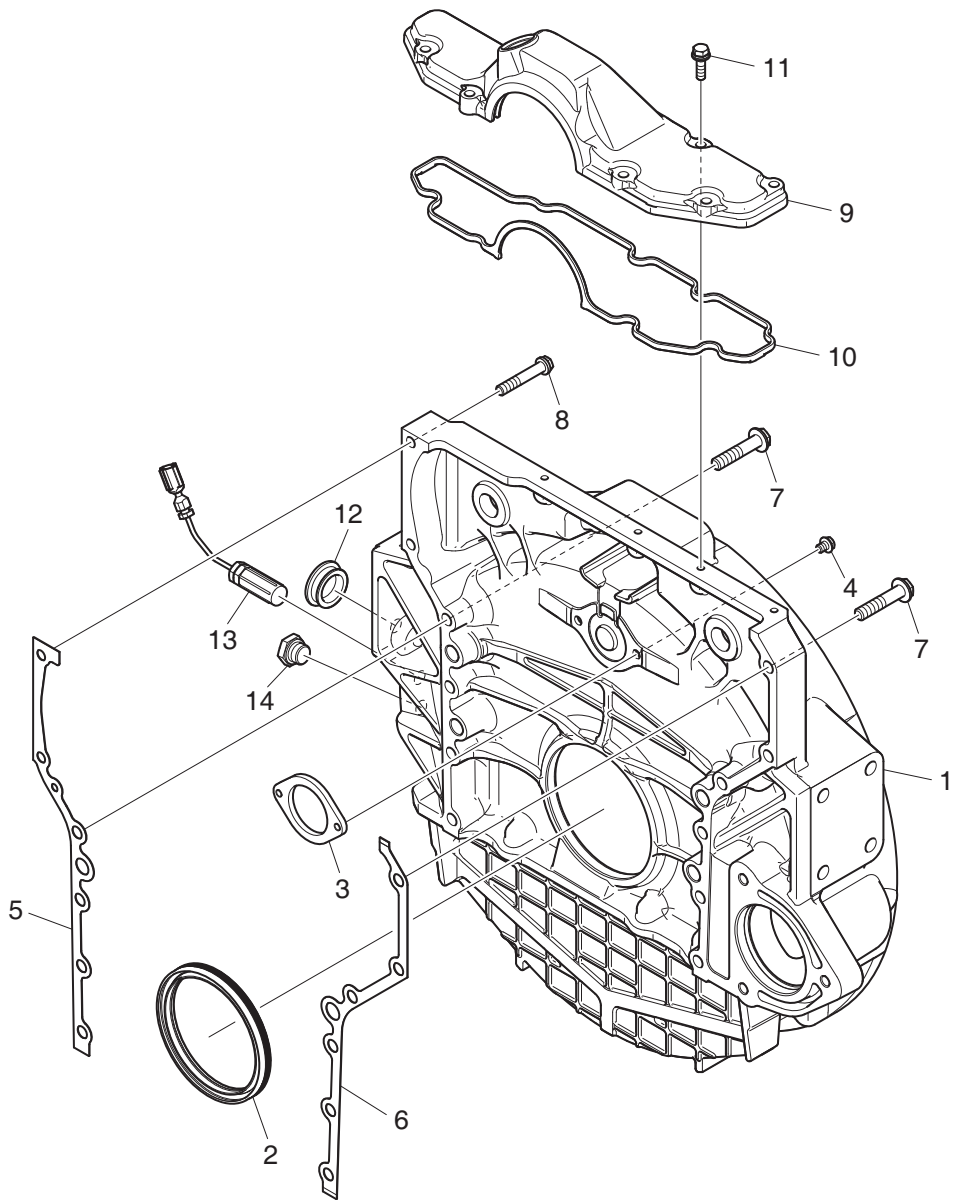
B011-DV18-012/140102

Fig.0120 CYLINDER LINER



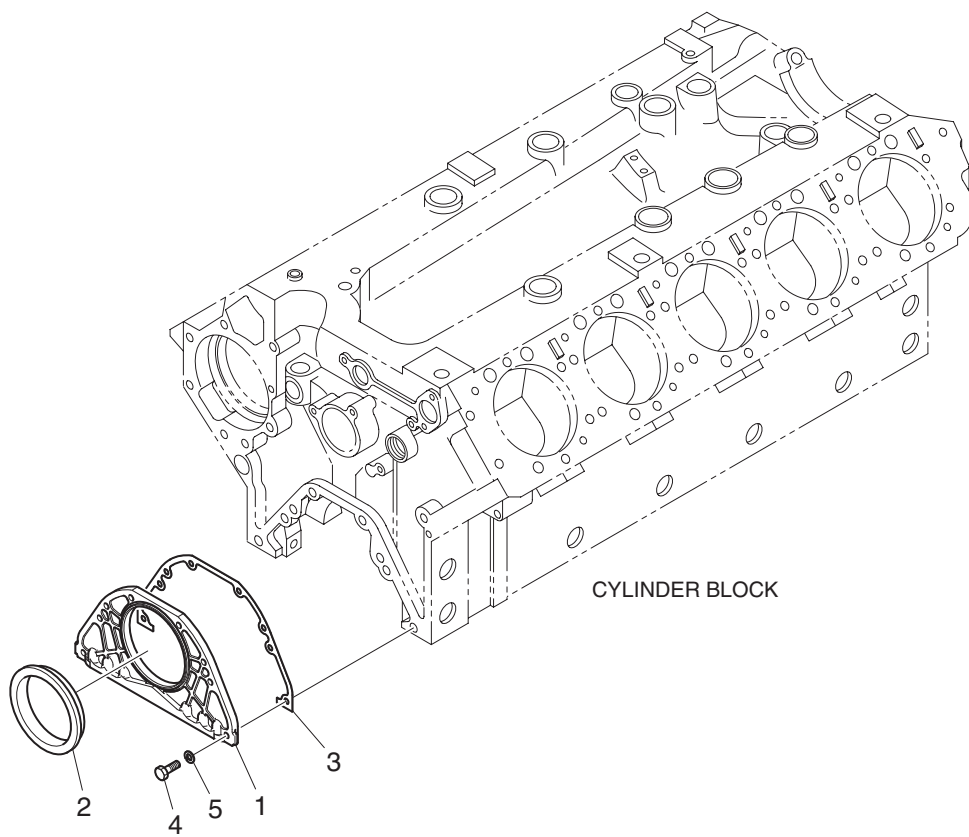
B012-DV18-001/120704

Fig.0140 FLYWHEEL HOUSING



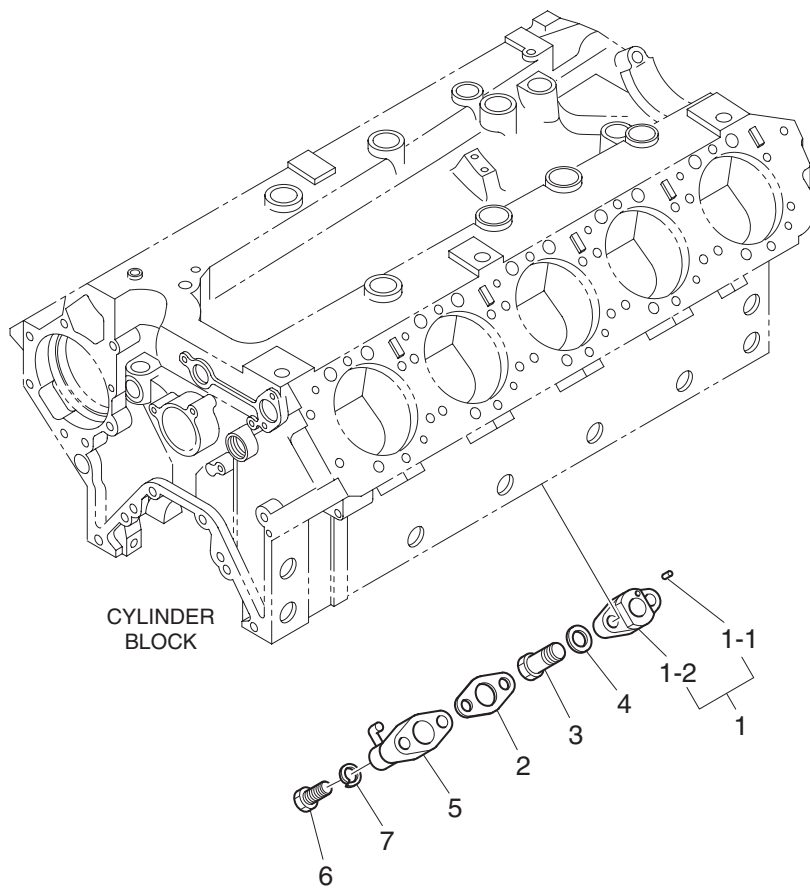
B014-DV22-001/130913

Fig.0150 OIL SEAL



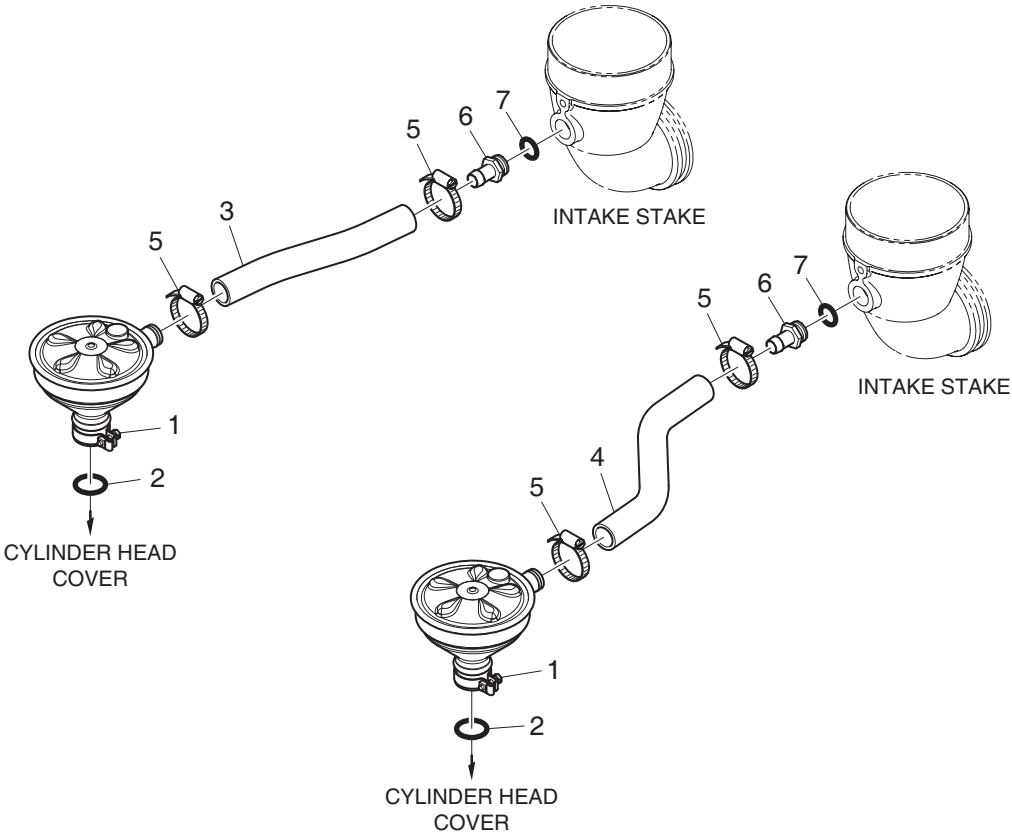
B015-DV18-001/120810

Fig.0160 OIL SPRAY NOZZLE



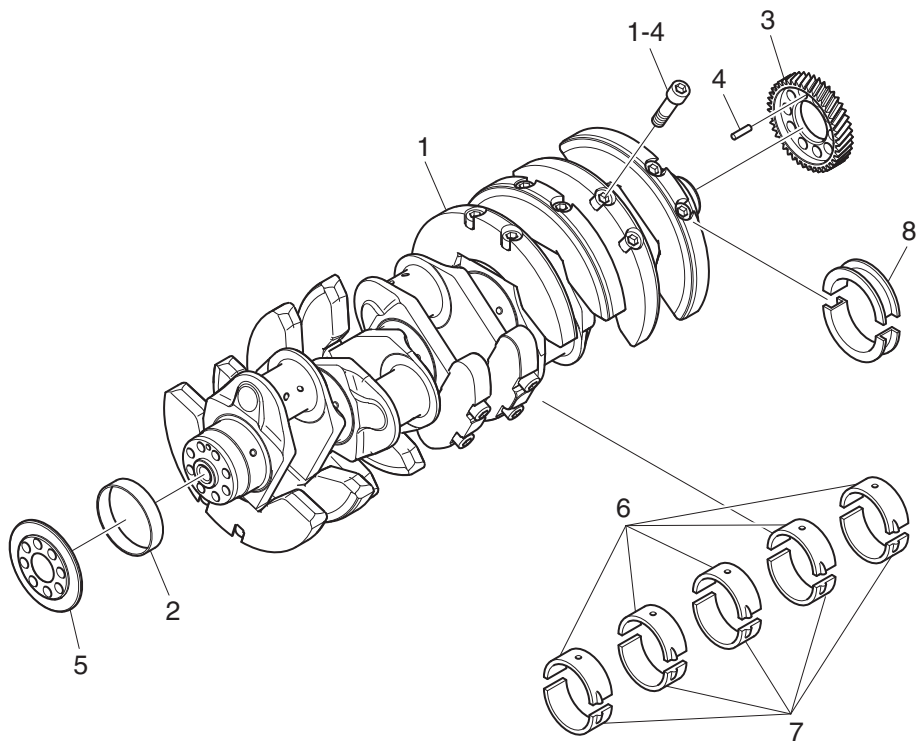
B016-DV18-001/120704

Fig.0180 BREATHER



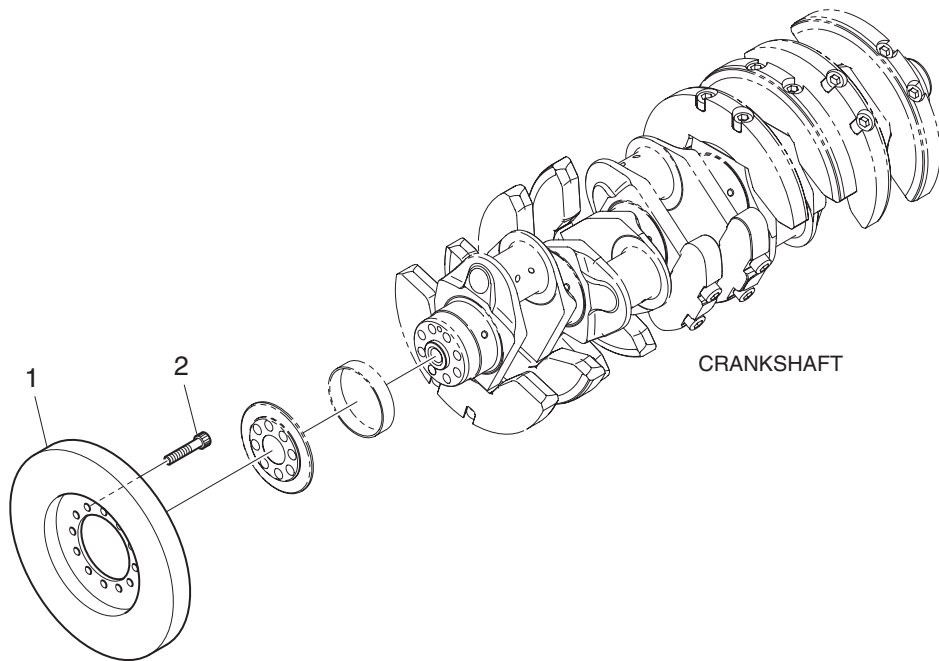
B018-DV22-001/130913

Fig.0210 CRANKSHAFT



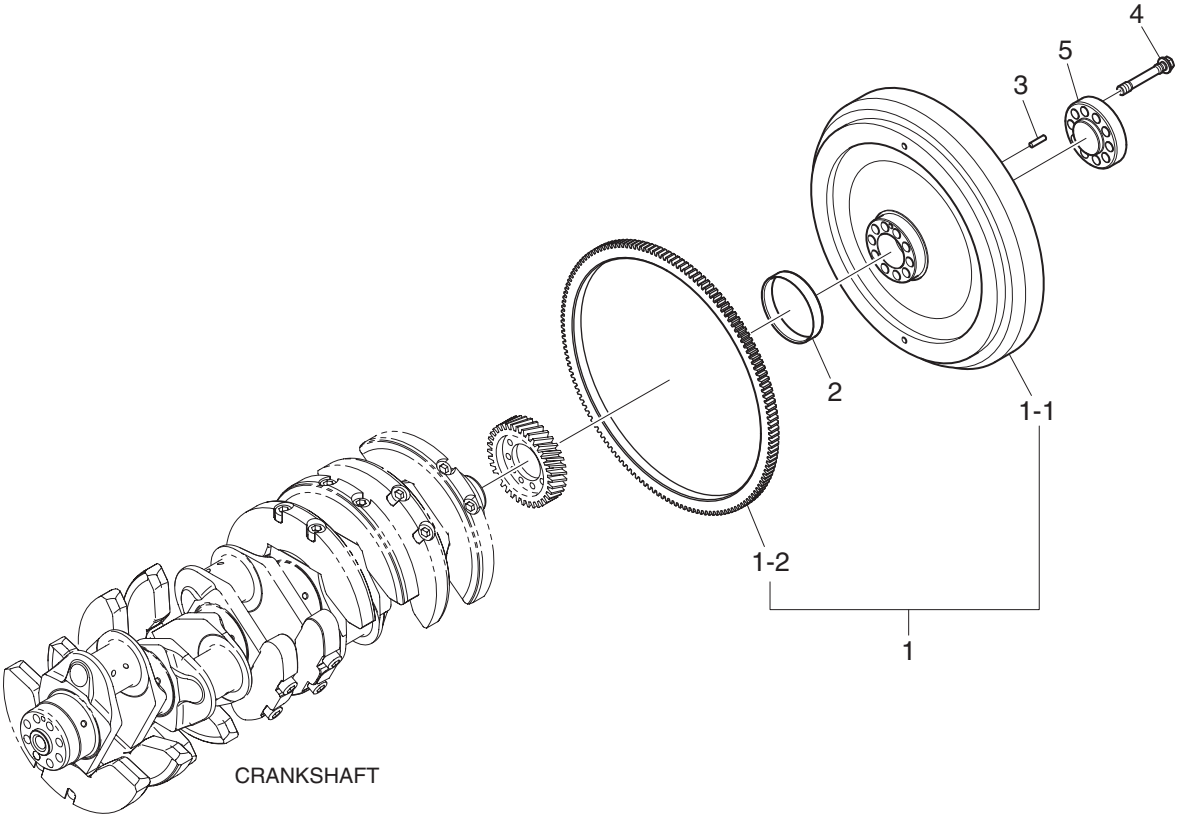
C021-DV18-005/120810

Fig.0220 VIBRATION DAMPER



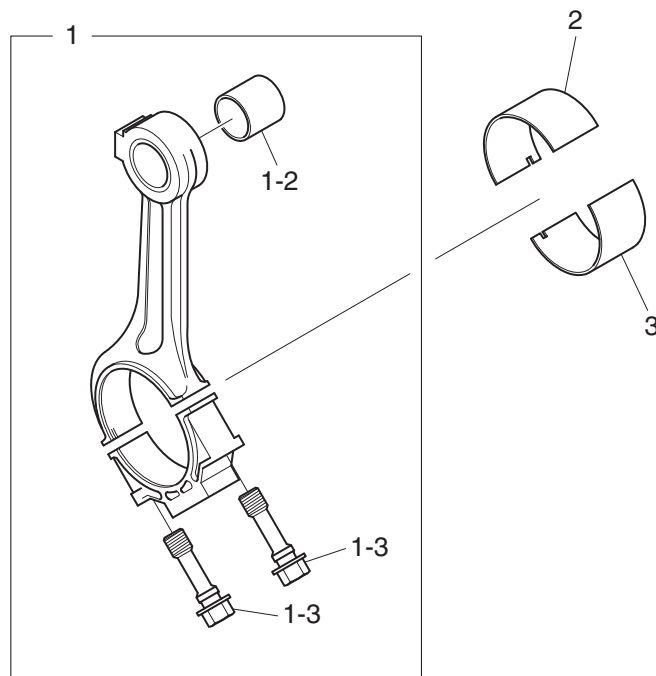
C022-DV18-002/120810

Fig.0230 FLYWHEEL



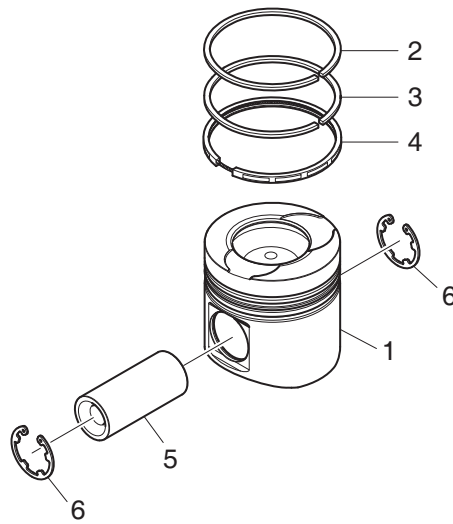
C023-DV18-001/140102

Fig.0240 CONNECTING ROD



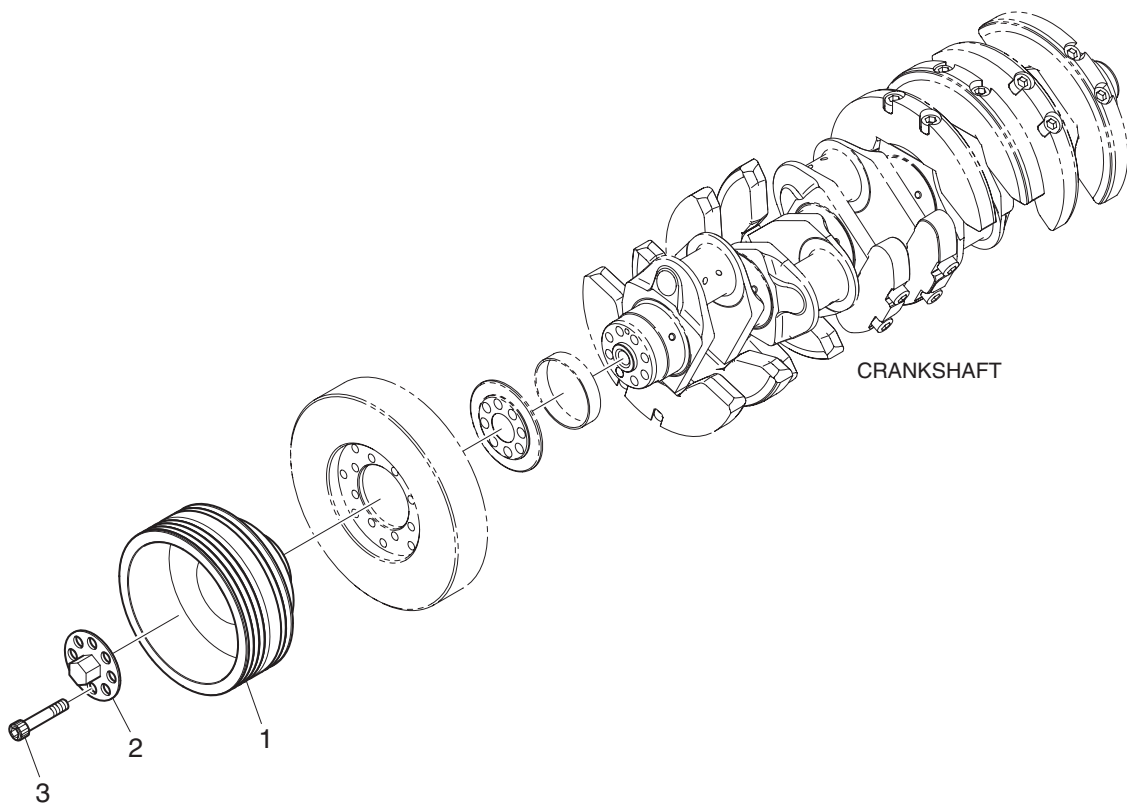
C024-DV18-005/120810

Fig.0250 PISTON



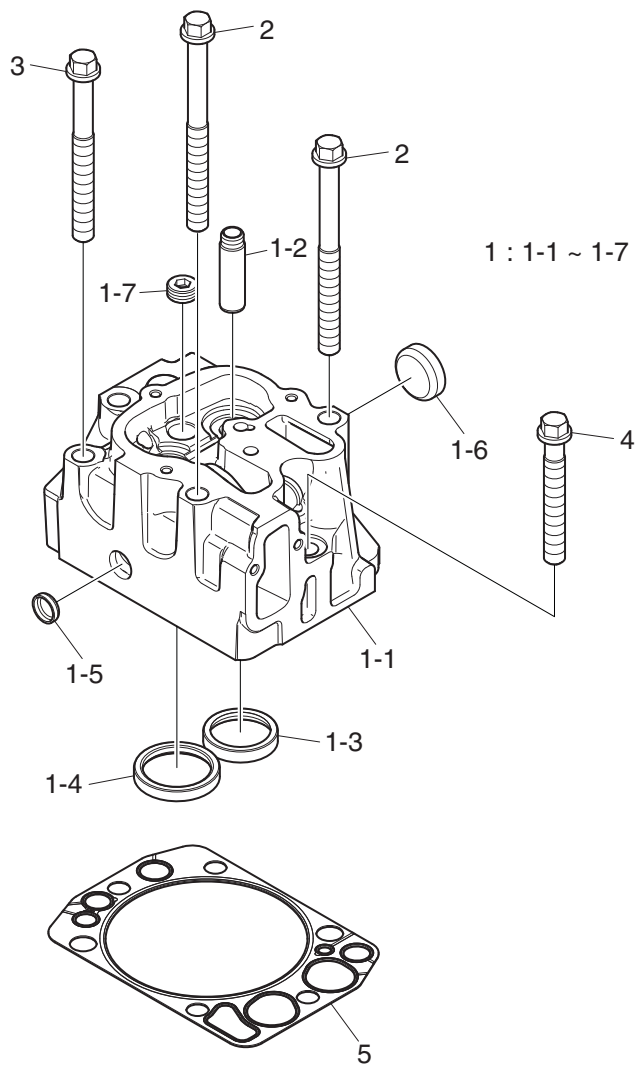
C025-DV18-006/140102

Fig.0260 CRANKSHAFT PULLEY



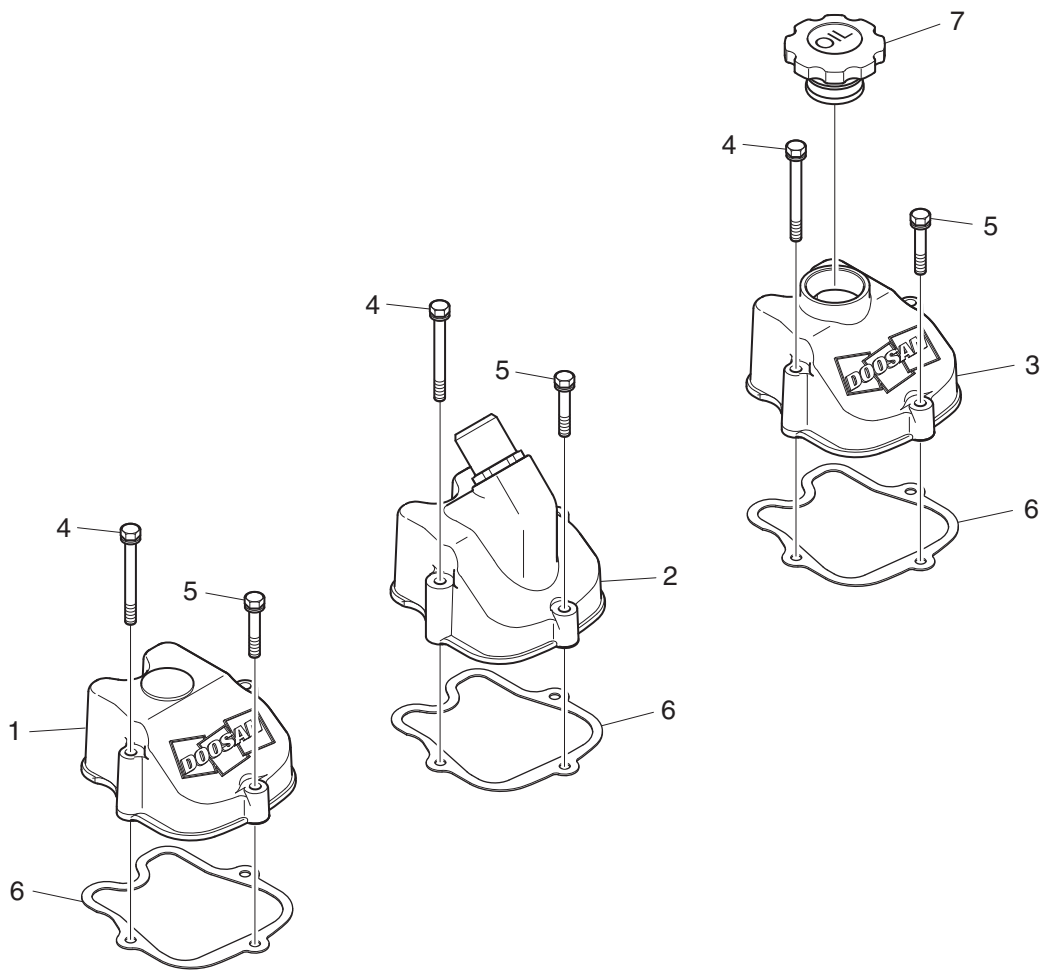
C026-DV18-013/140102

Fig.0310 CYLINDER HEAD



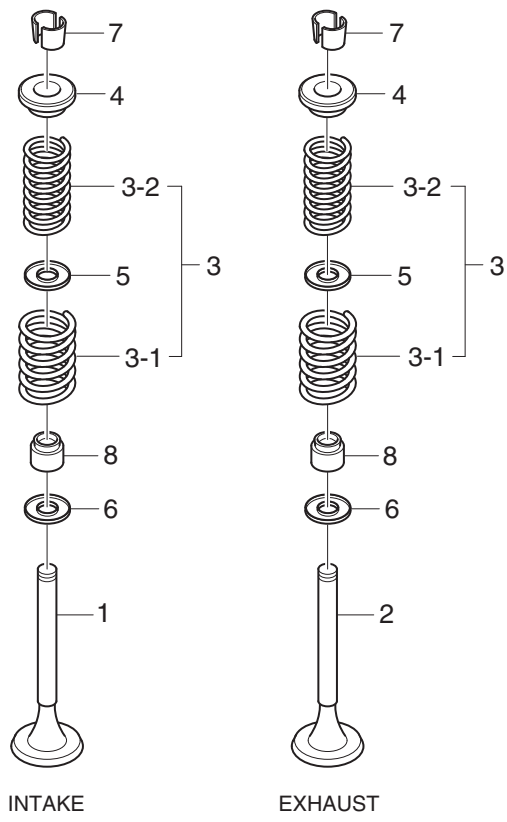
B031-DV18-007/140102

Fig.0340 CYLINDER HEAD COVER



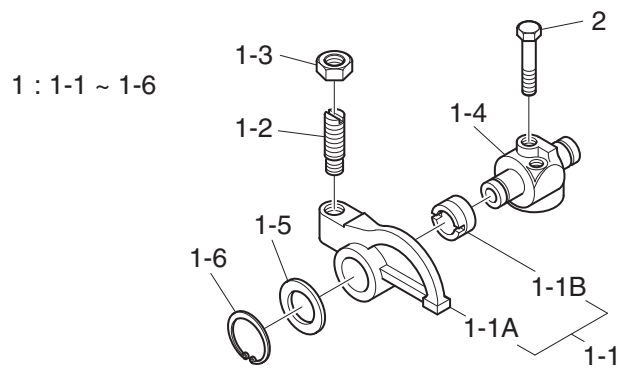
B034-DV18-003/120810

Fig.0410 VALVE



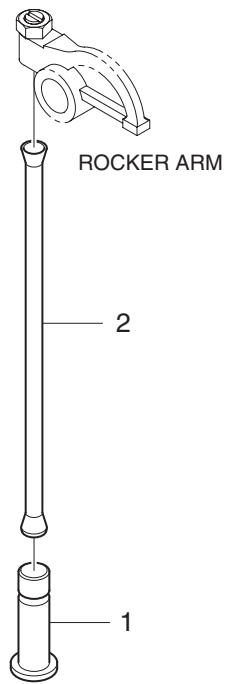
D041-DV18-001/120810

Fig.0420 ROCKER ARM



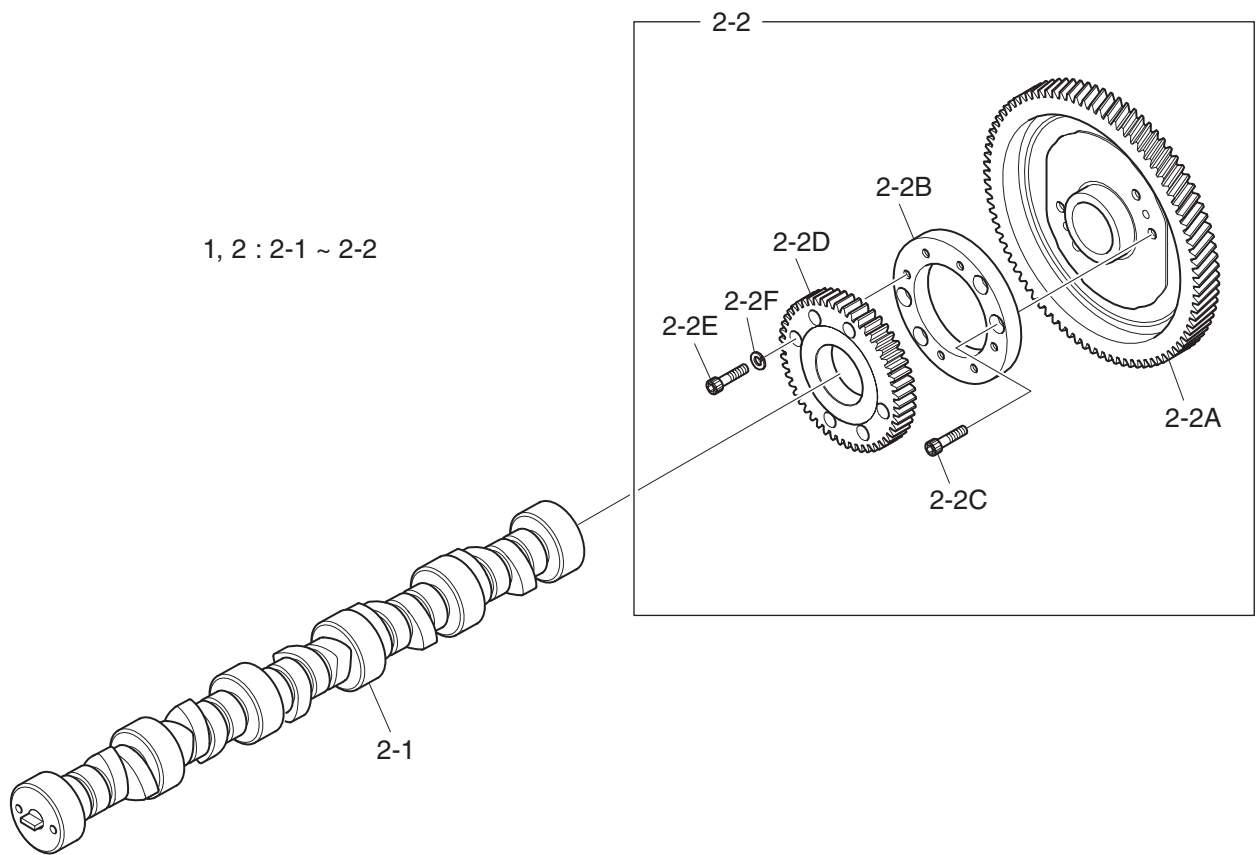
D042-DV18-002/120704

Fig.0430 TAPPET & PUSH ROD



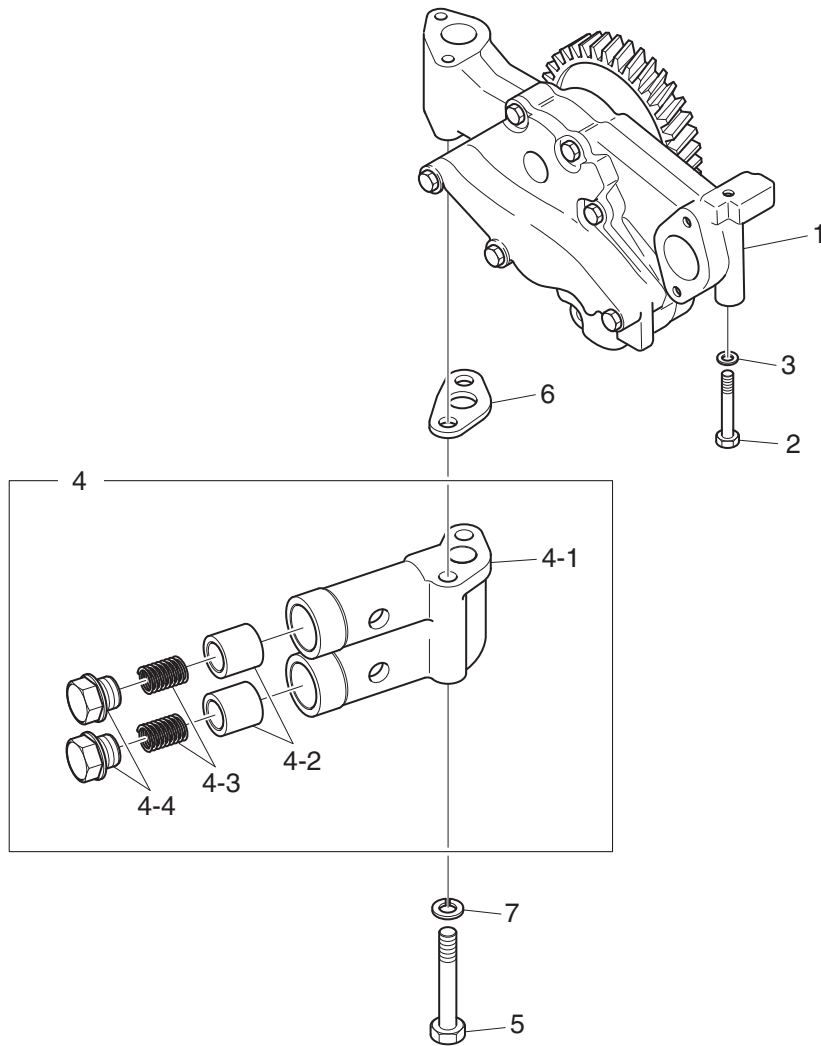
D043-DV18-001/120704

Fig.0440 CAMSHAFT



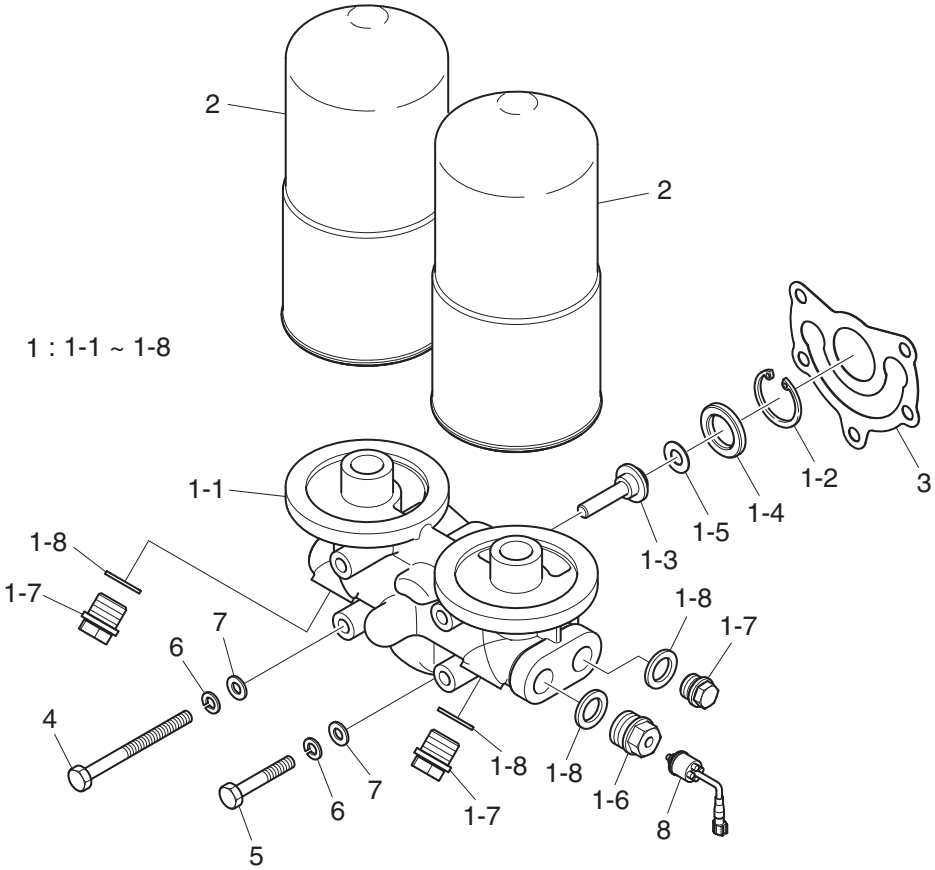
D044-DV18-001/120704

Fig.0510 OIL PUMP



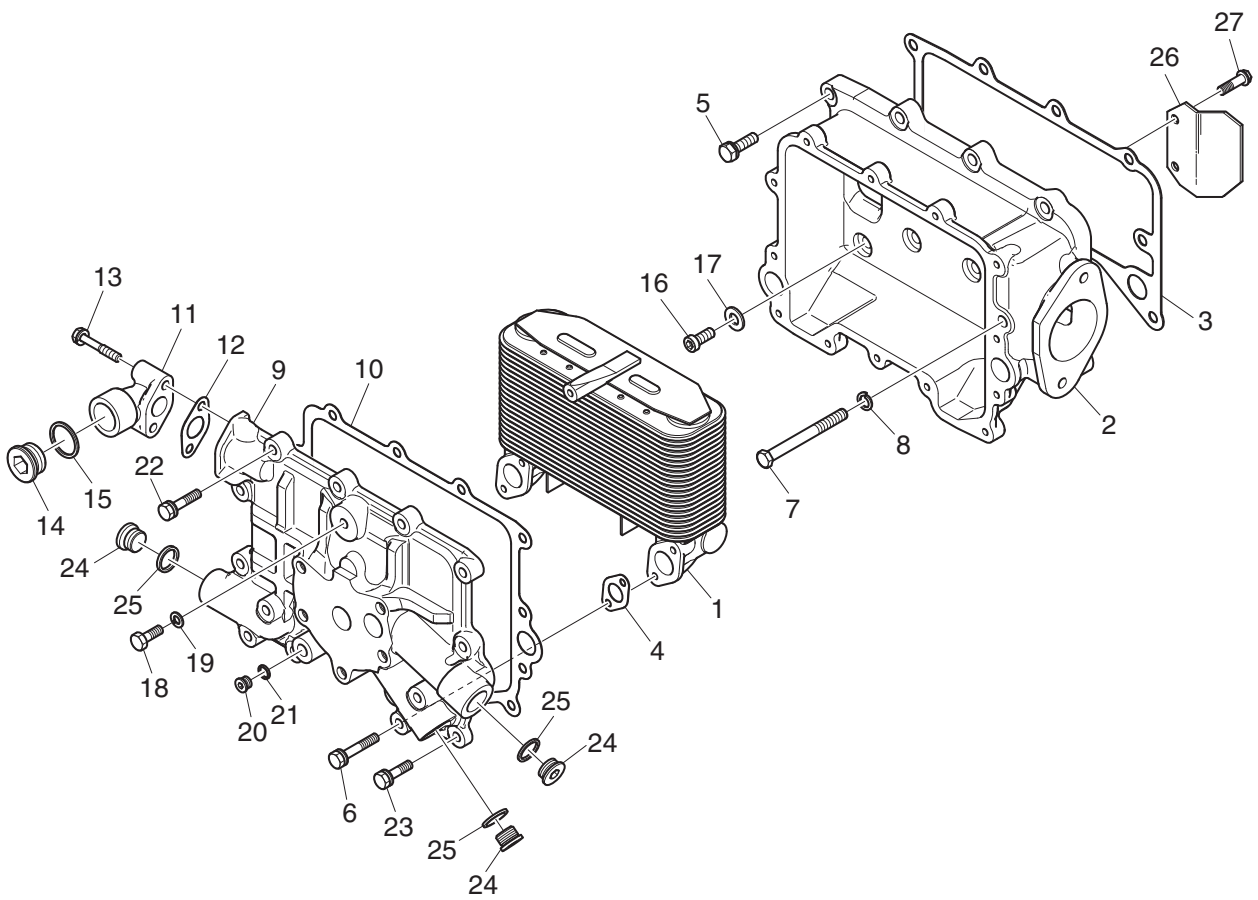
J051-DV18-006/120704

Fig.0550 OIL FILTER



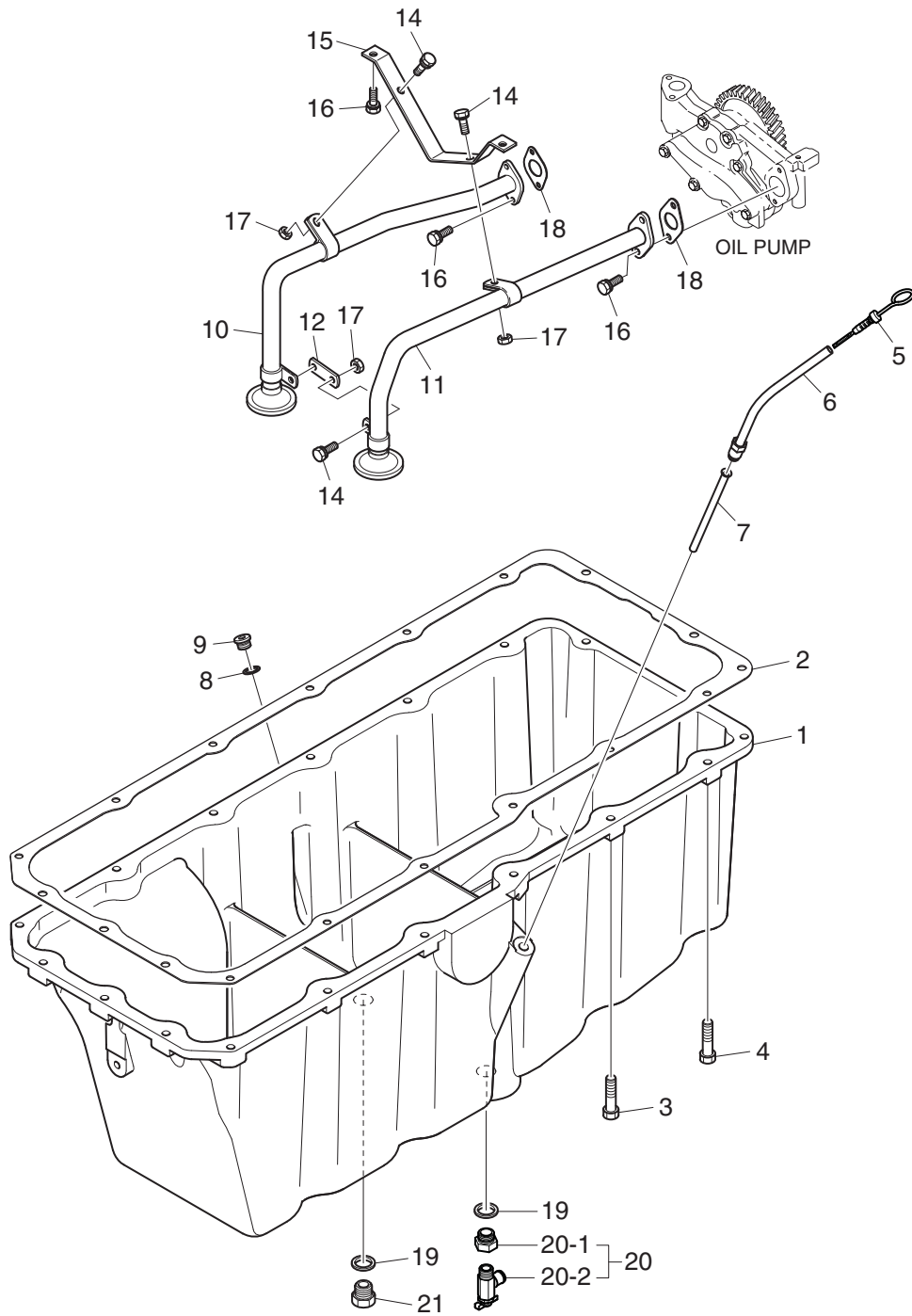
J055-GV15-001/120613

Fig.0560 OIL COOLER



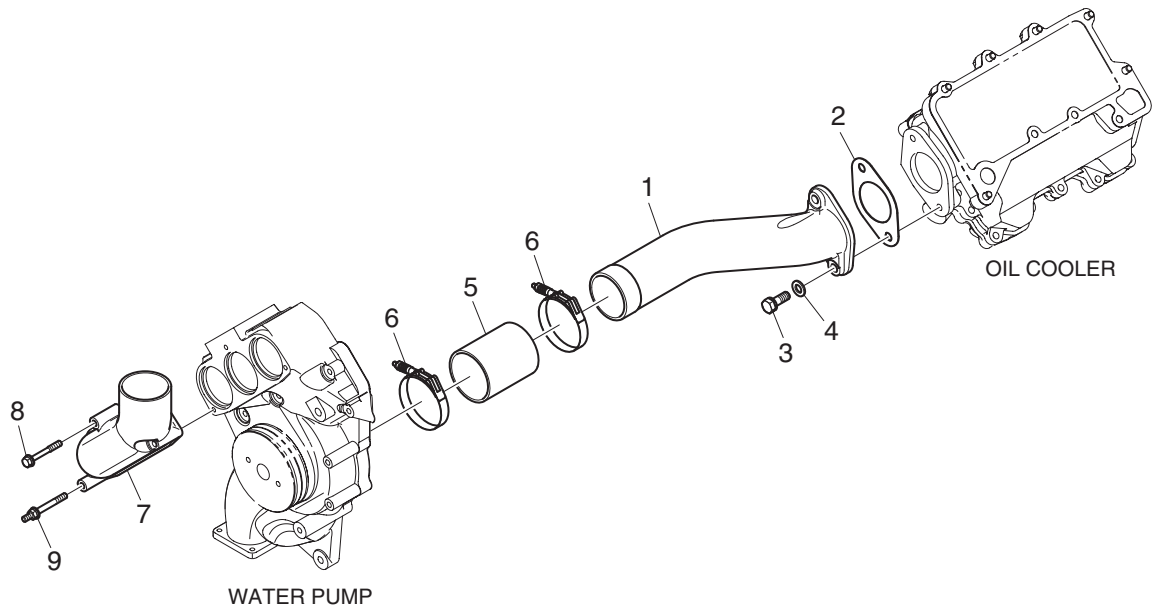
J056-DV15-010/130913

Fig.0580 OIL PAN



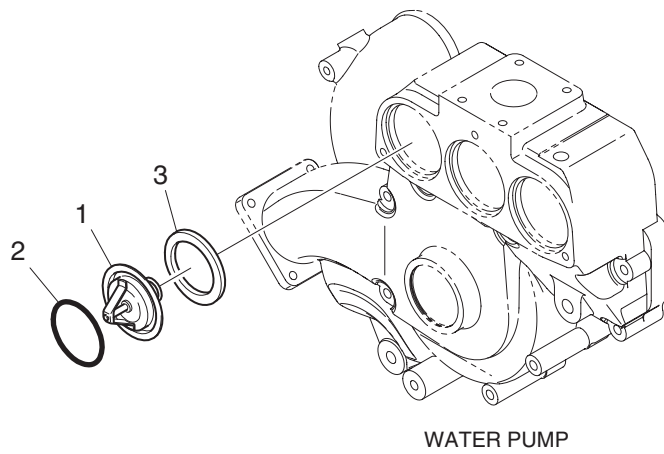
B058-DV18-006/140102

Fig.0630 COOLING WATER PIPE



K063-DV18-012/140102

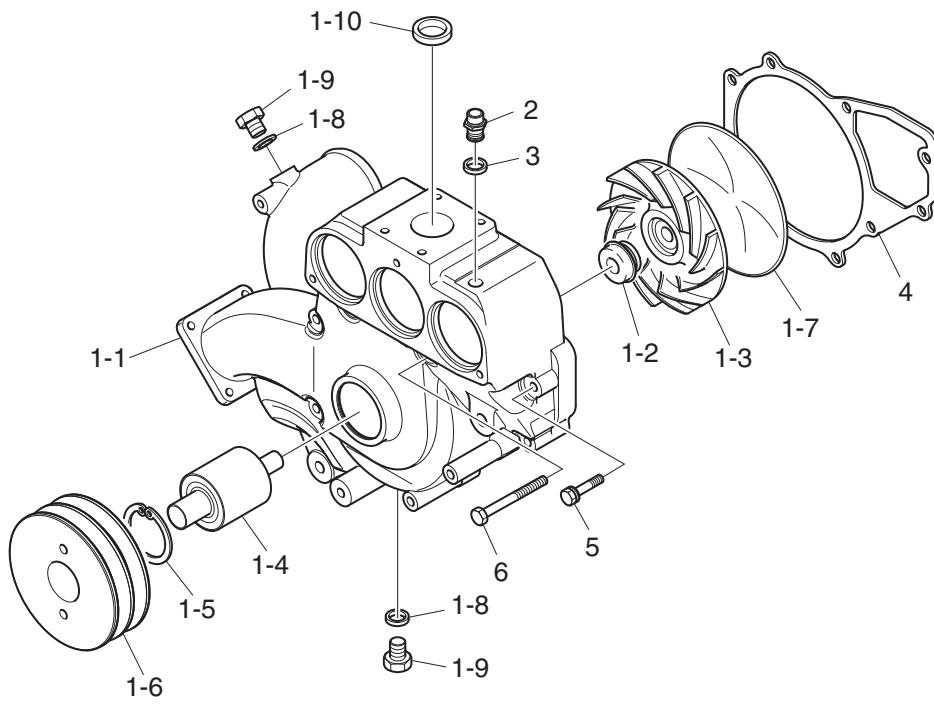
Fig.0640 THERMOSTAT



K064-DV15-002/120724

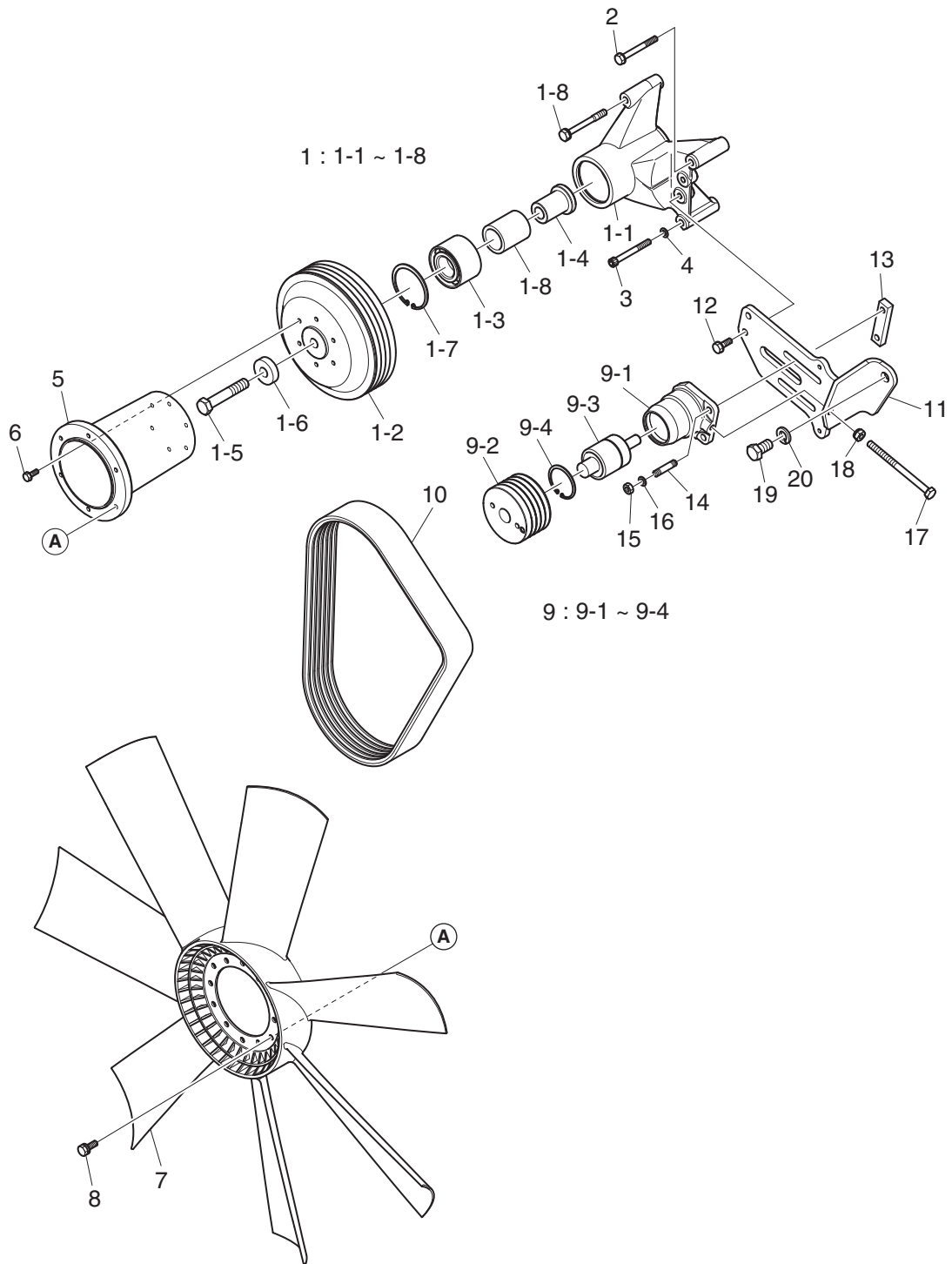
Fig.0650 WATER PUMP

1 : 1-1 ~ 1-10



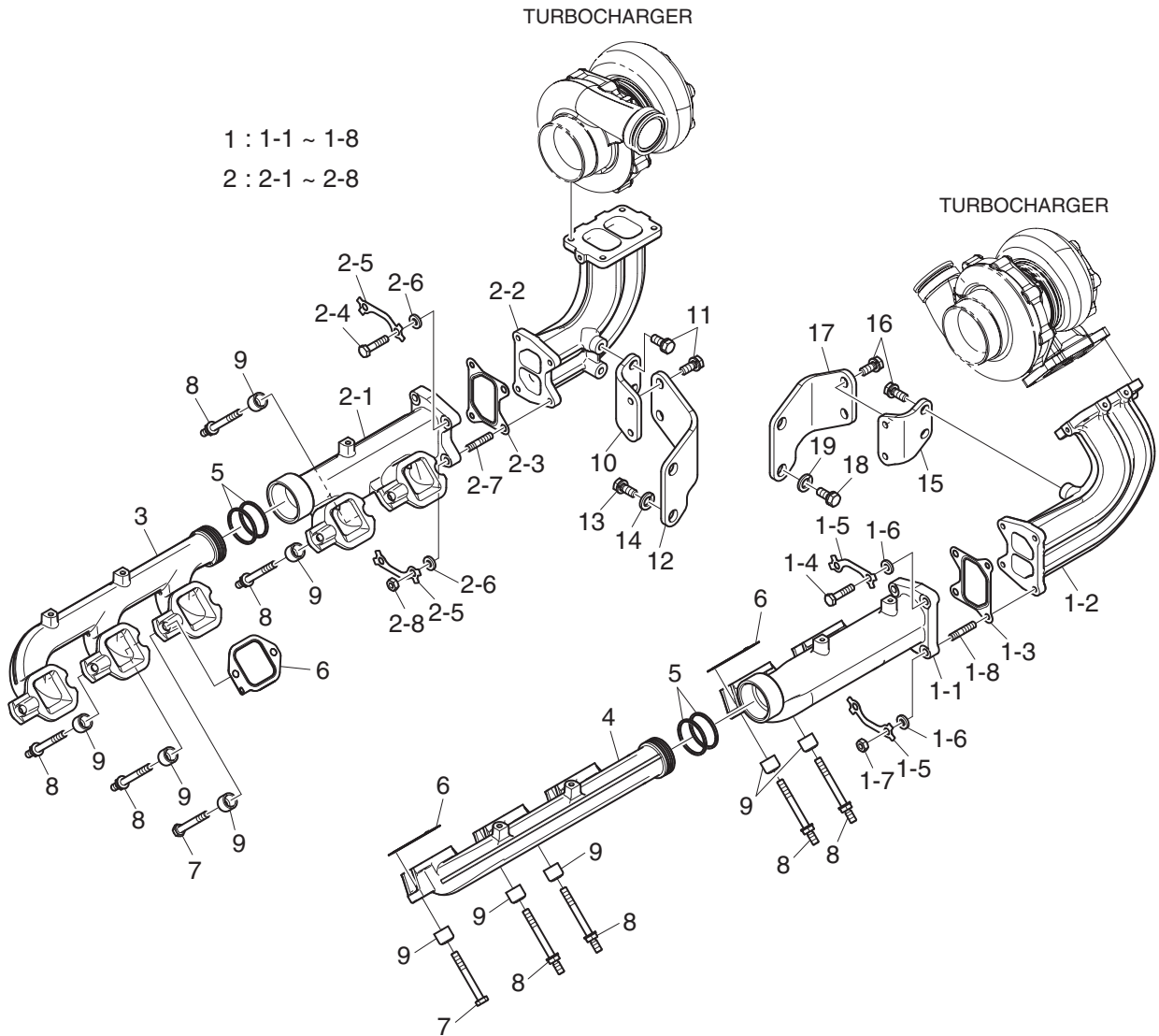
K065-DV15-004/120724

Fig.0660 COOLING FAN



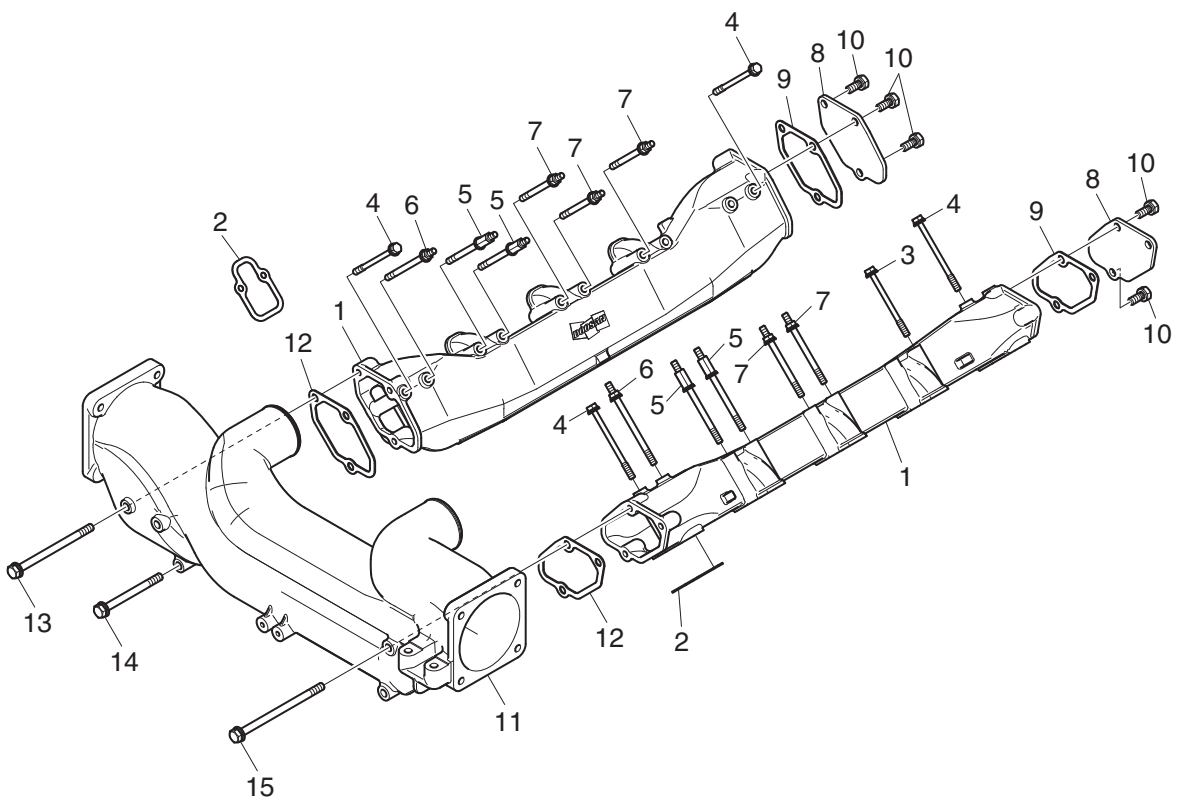
K066-DV15-011/130913

Fig.0810 EXHAUST MANIFOLD



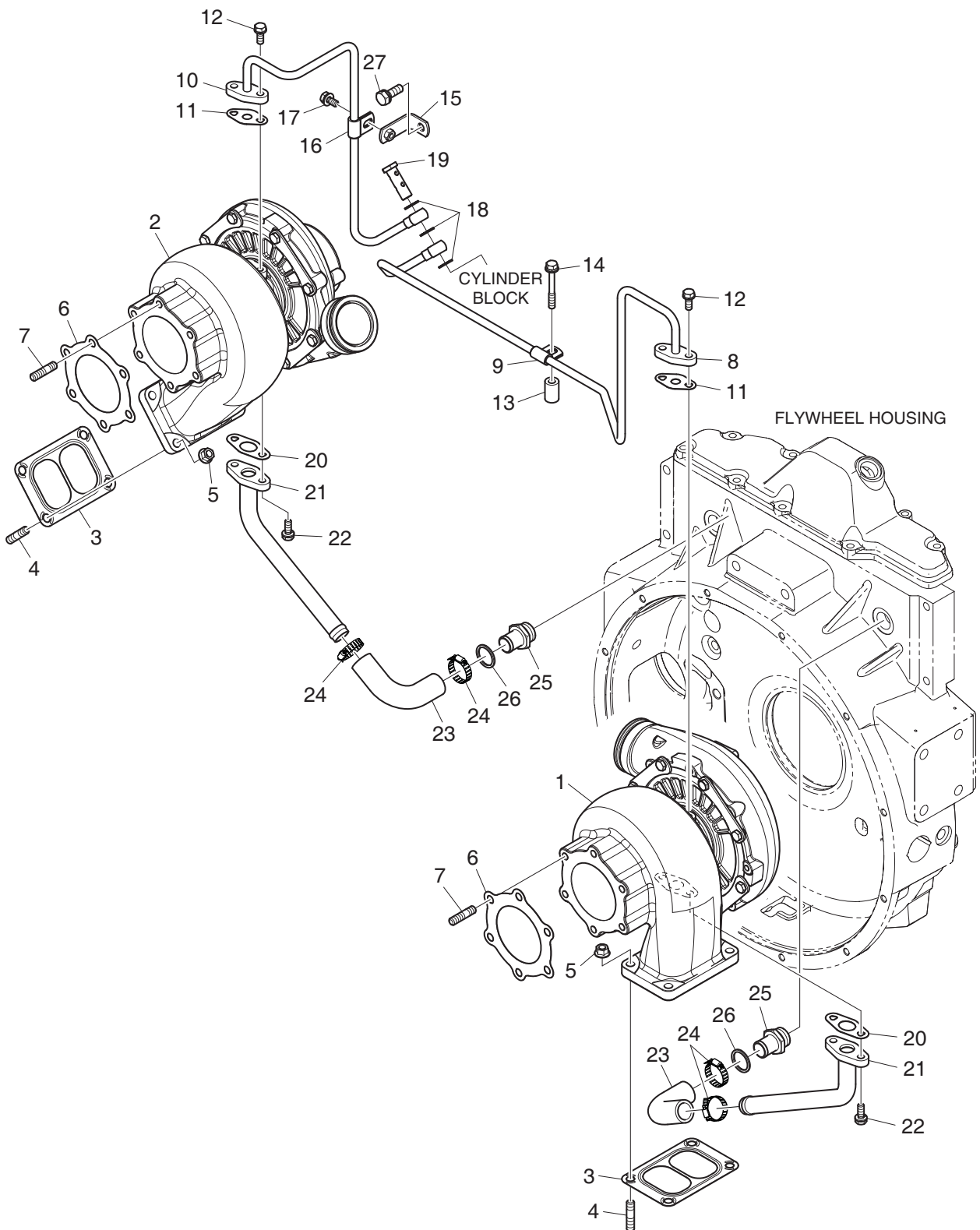
H081-DV18-011/140102

Fig.0820 INTAKE MANIFOLD



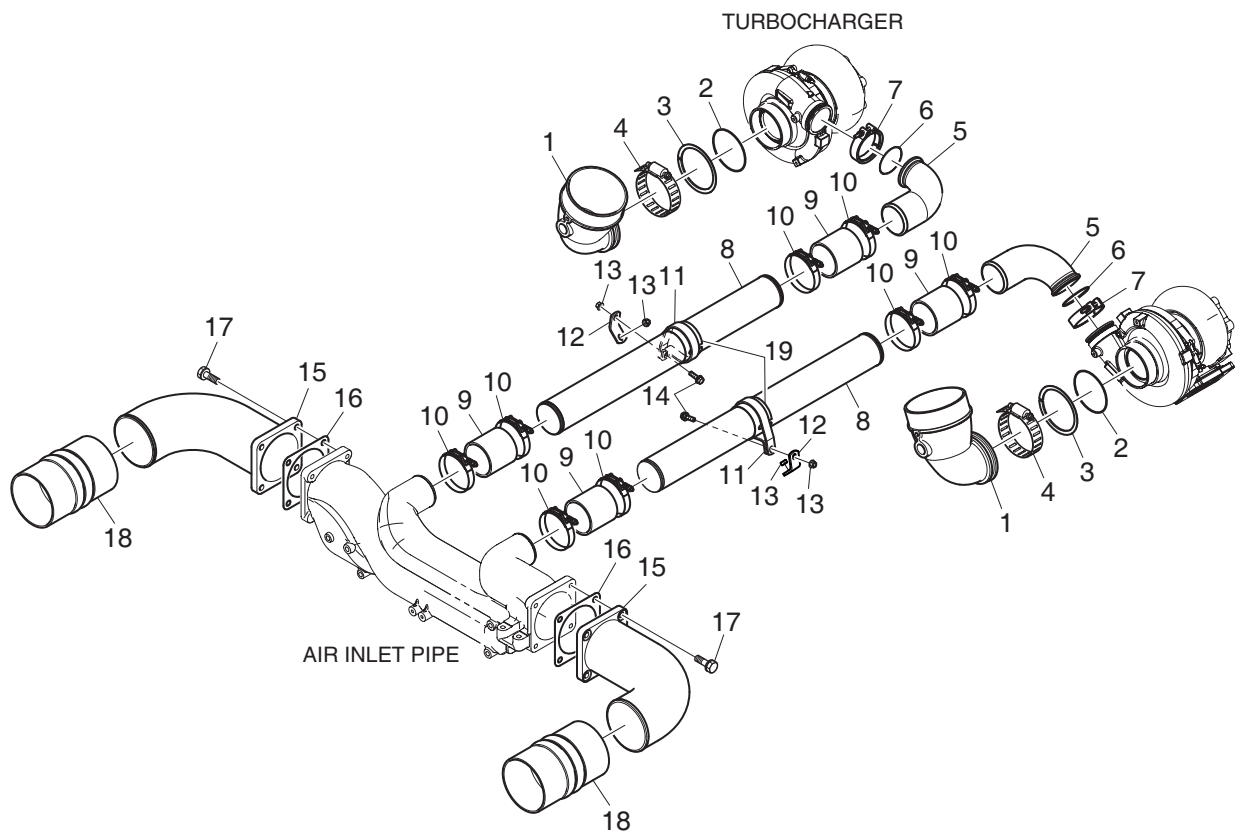
H082-DV18-009/140102

Fig.0910 TURBOCHARGER



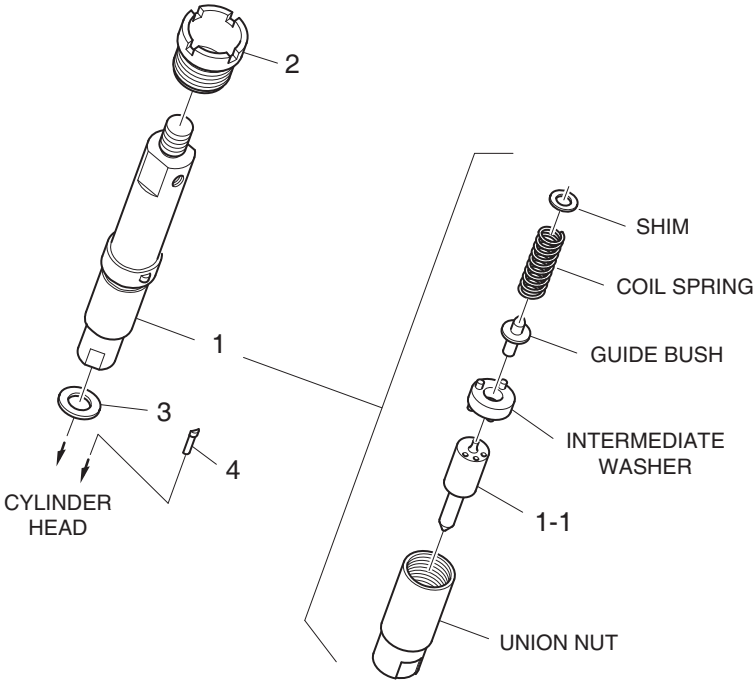
H091-DV18-006/140102

Fig.0940 INTAKE STAKE



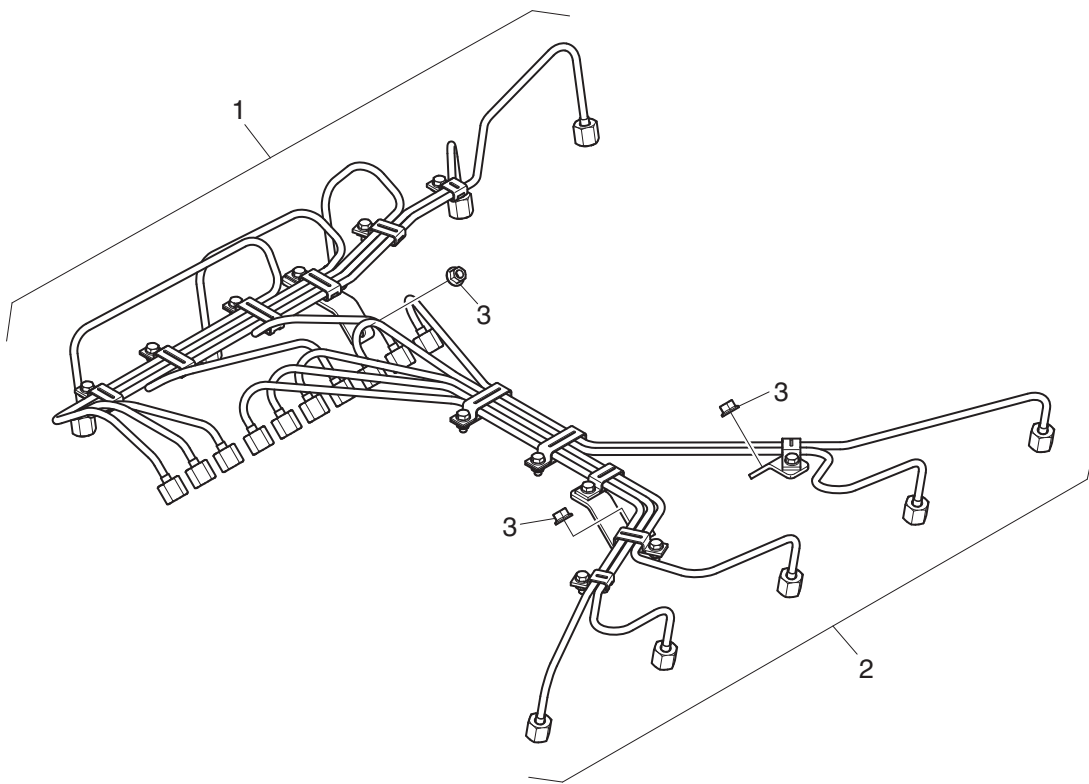
H094-DV18-010/140102

Fig.1010 INJECTION NOZZLE



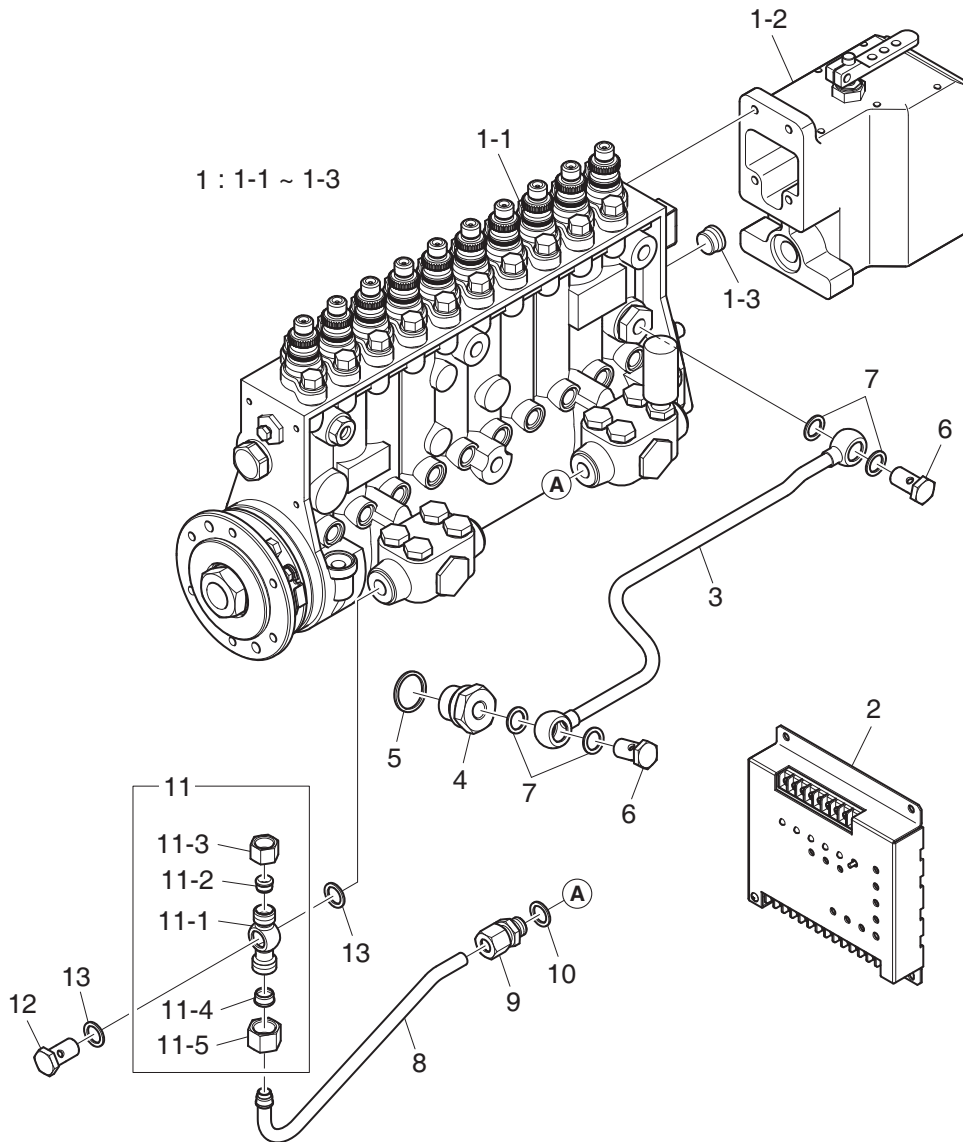
L101-DV18-006/140102

Fig.1030 INJECTION PIPE



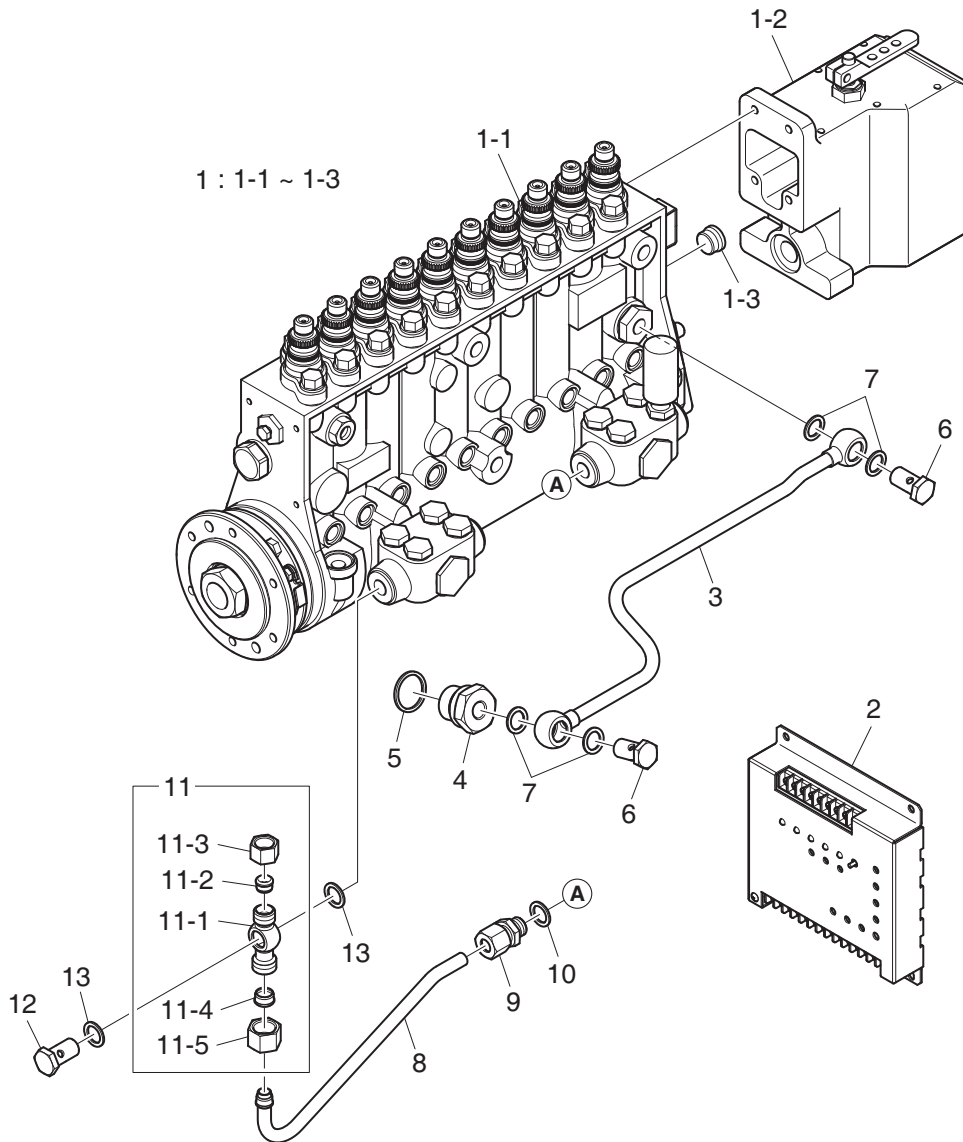
L103-DV18-010/140102

Fig.1110 INJECTION PUMP(1)



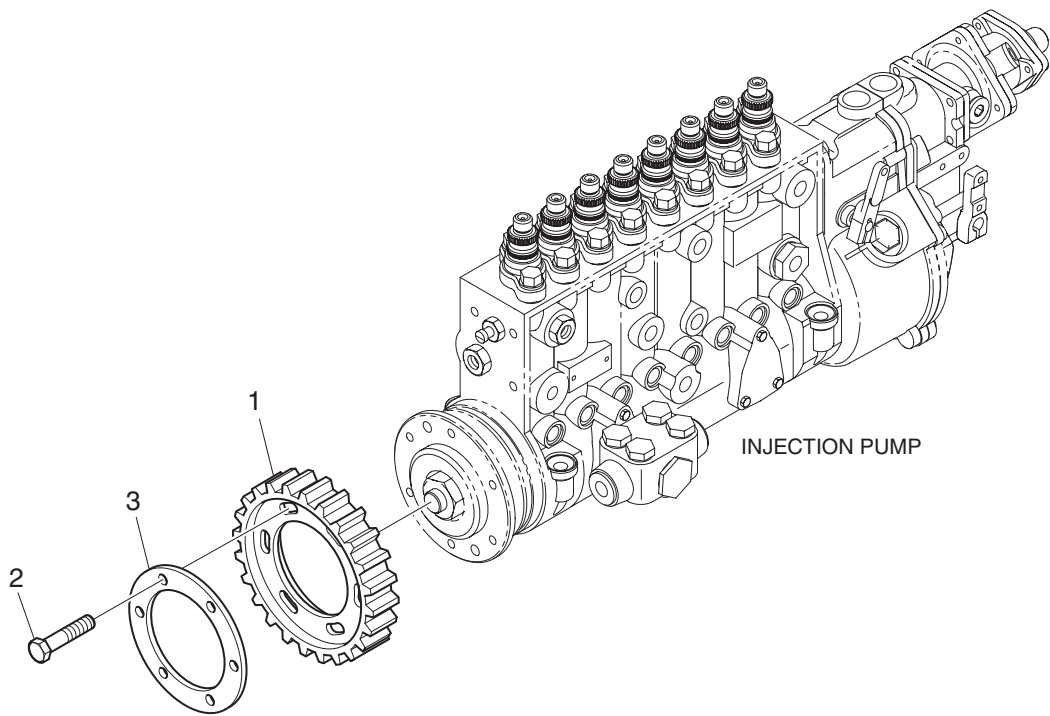
L111-DV18-013/140102

Fig.1110 INJECTION PUMP(2)



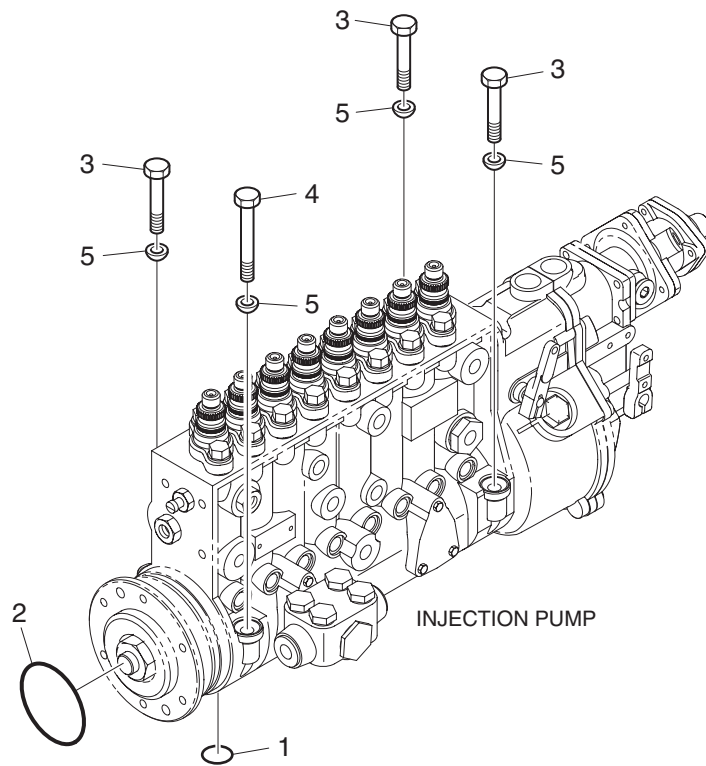
L111-DV18-014/140102

Fig.1130 INJECTION PUMP DRIVE



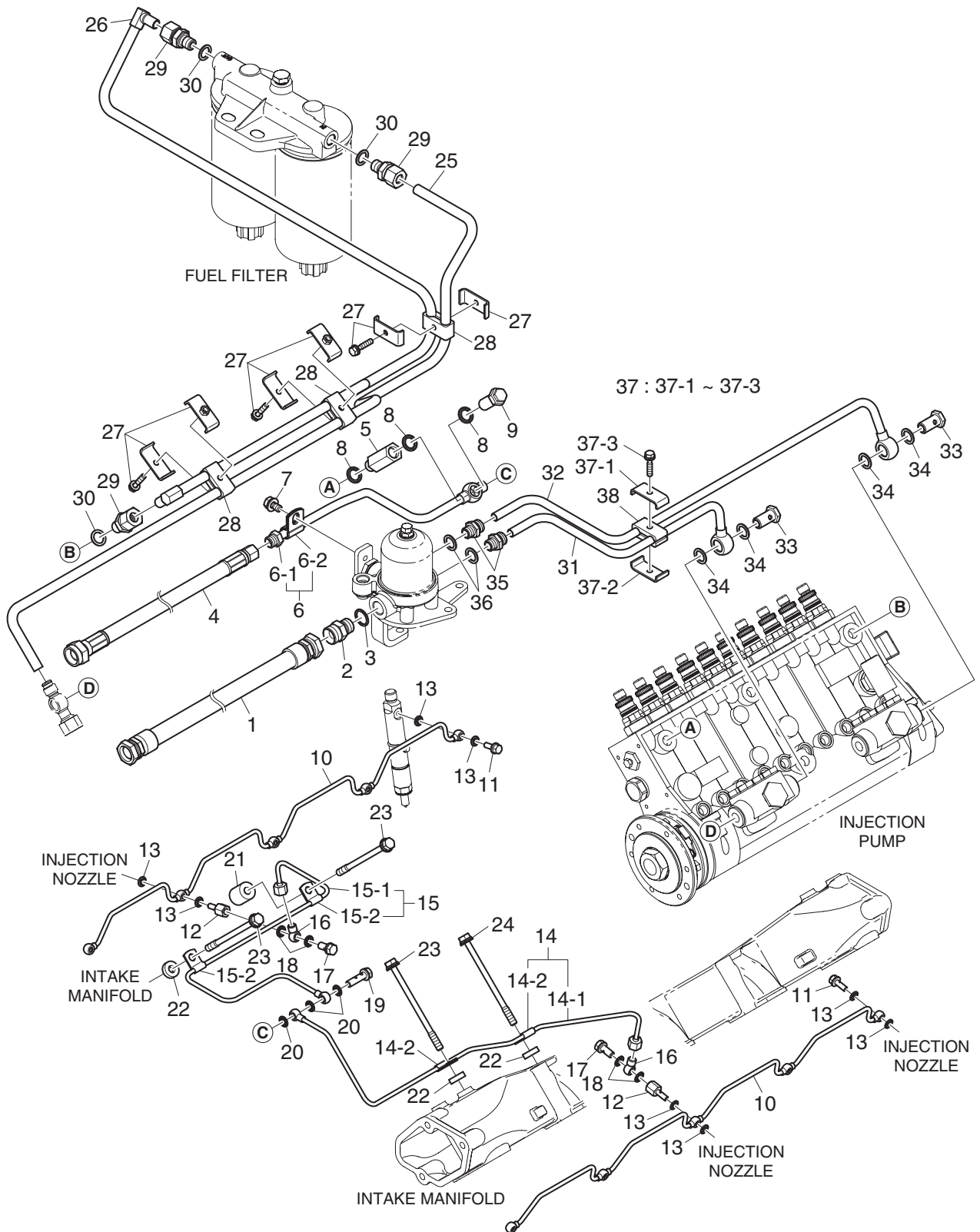
L113-DV15-001/120724

Fig.1140 INJECTION PUMP MOUNTING



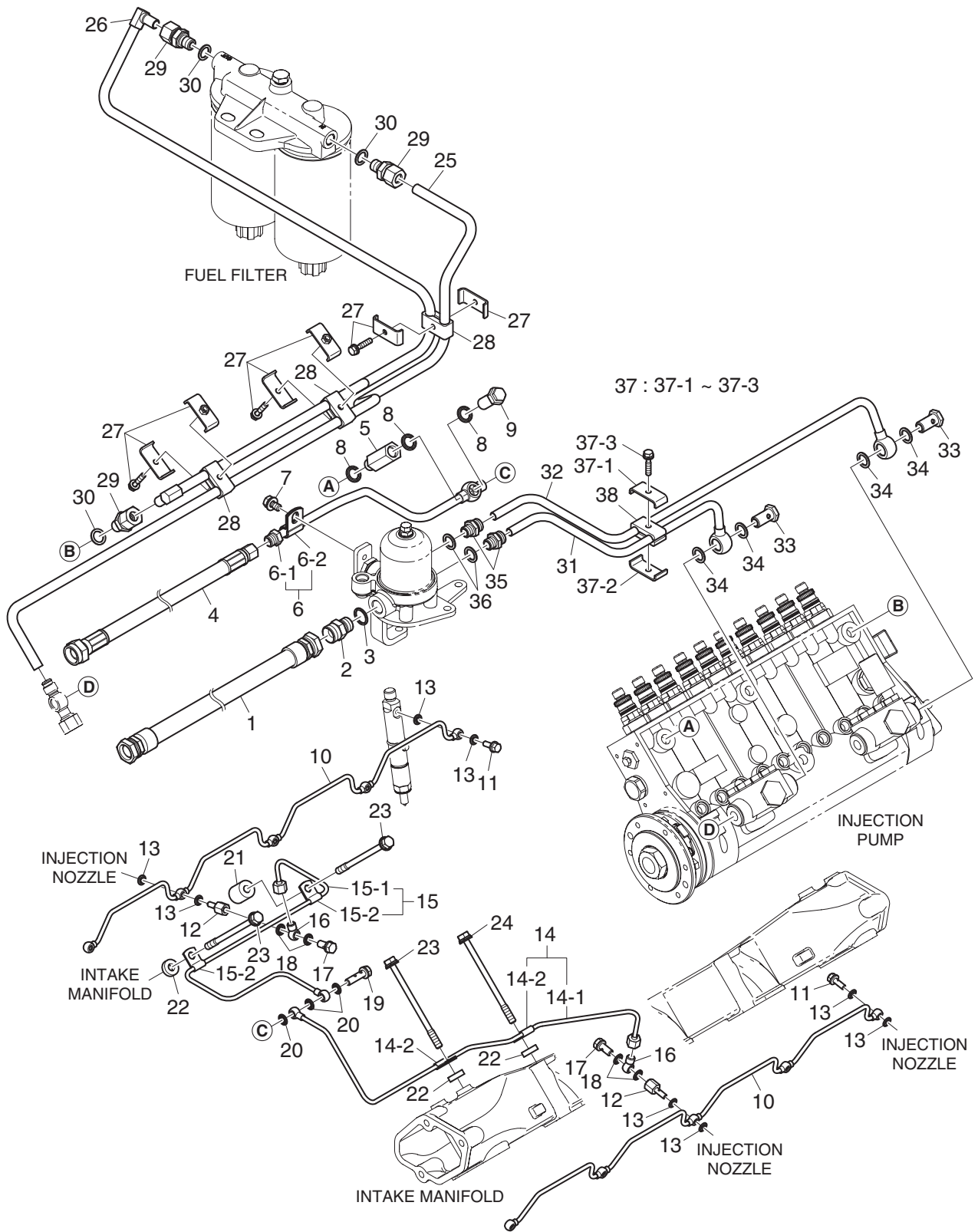
L114-DV15-001/120724

Fig.1230 FUEL LINE



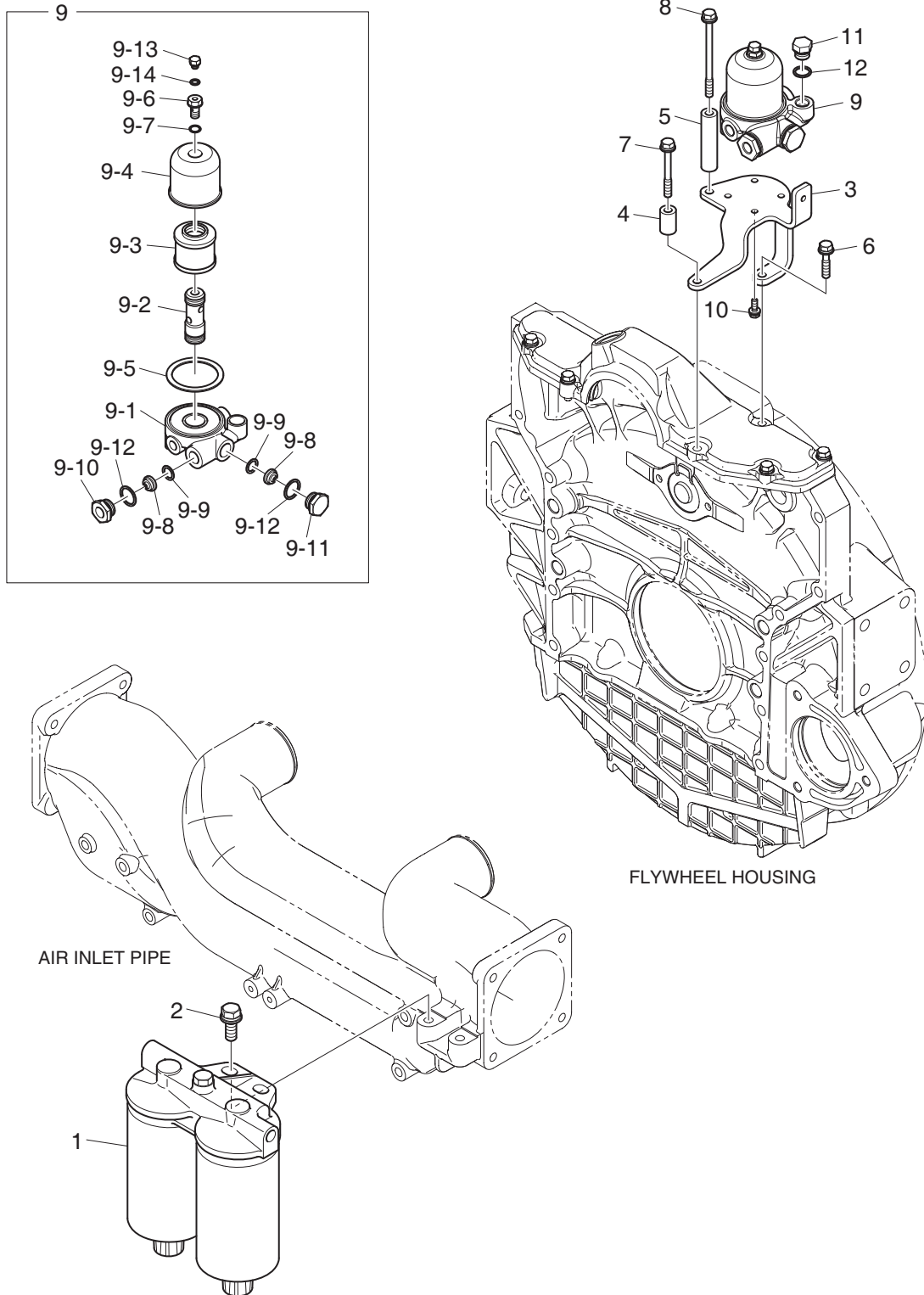
F123-DV18-011/140102

Fig.1230 FUEL LINE



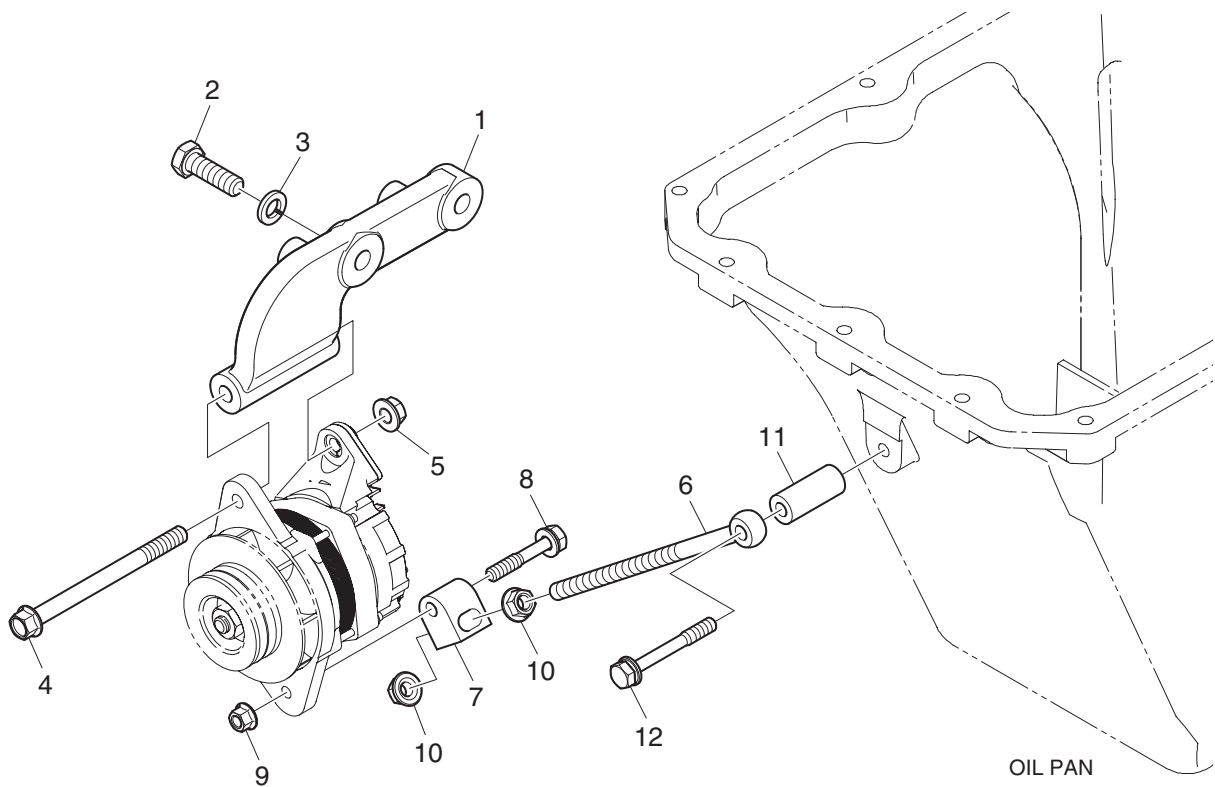
F123-DV18-011/140102

Fig.1250 FUEL FILTER



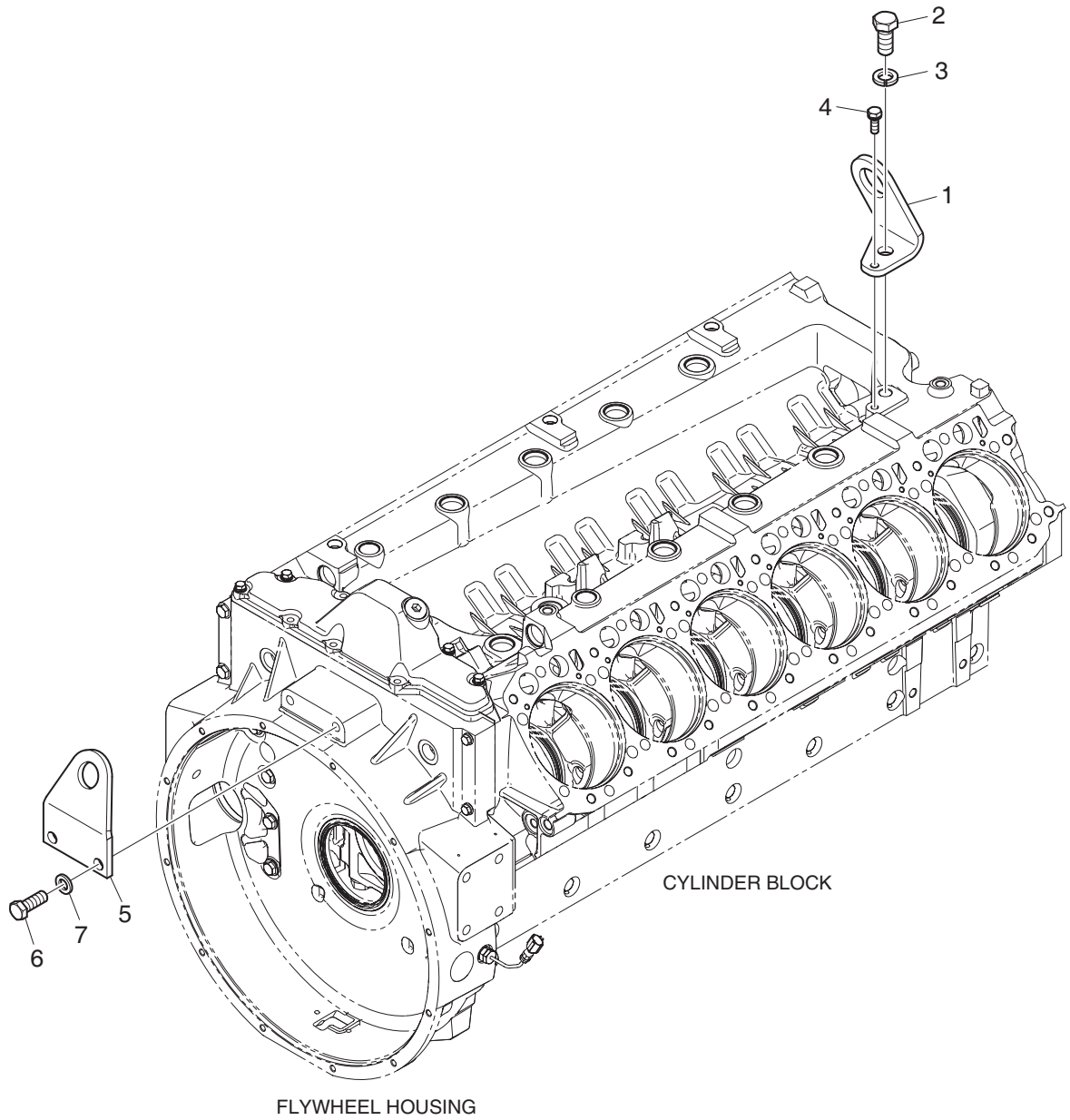
F125-DV22-001/130913

Fig.1910 ALTERNATOR MOUNTING



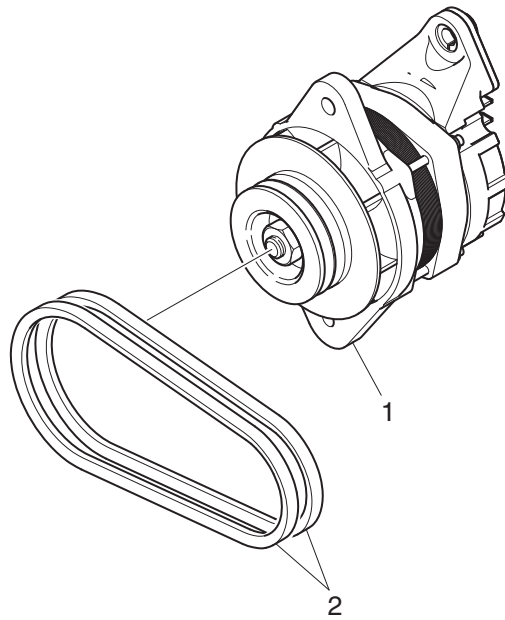
M191-DV15-011/130913

Fig.1920 ENGINE LIFTING



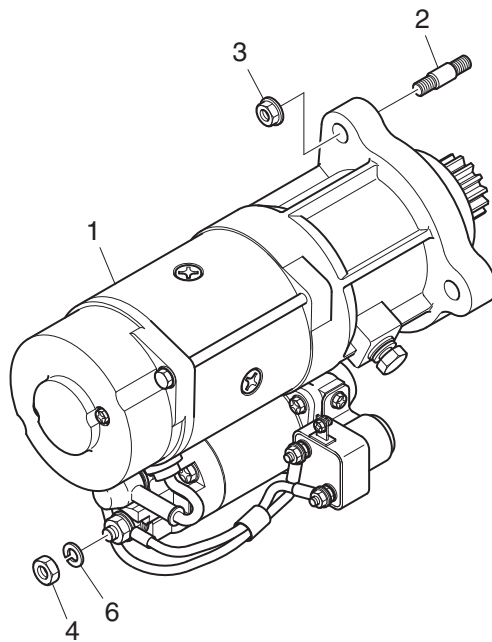
P192-DV22-001/130913

Fig.2610 ALTERNATOR



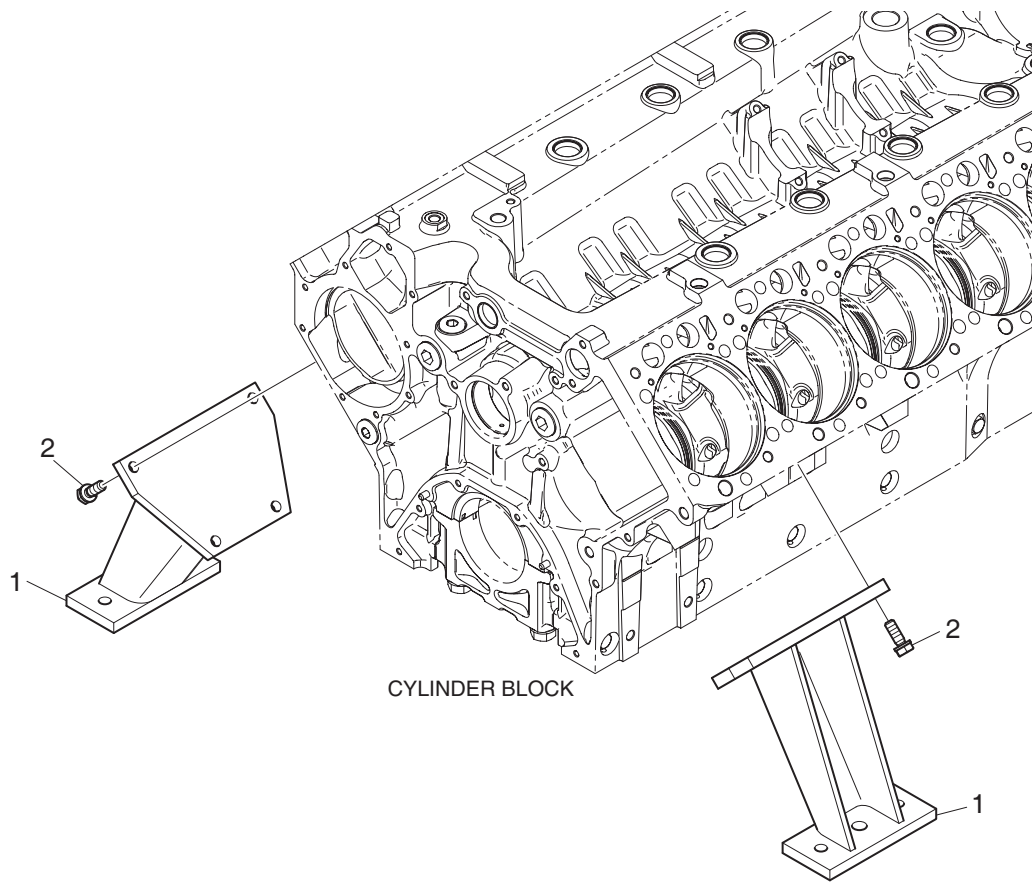
M261-DV22-006/120817

Fig.2620 STARTER



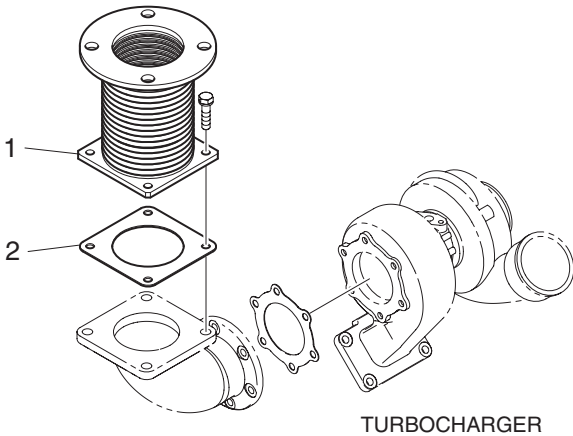
M262-DV15-001/120613

Fig.4150 ENGINE MOUNTING



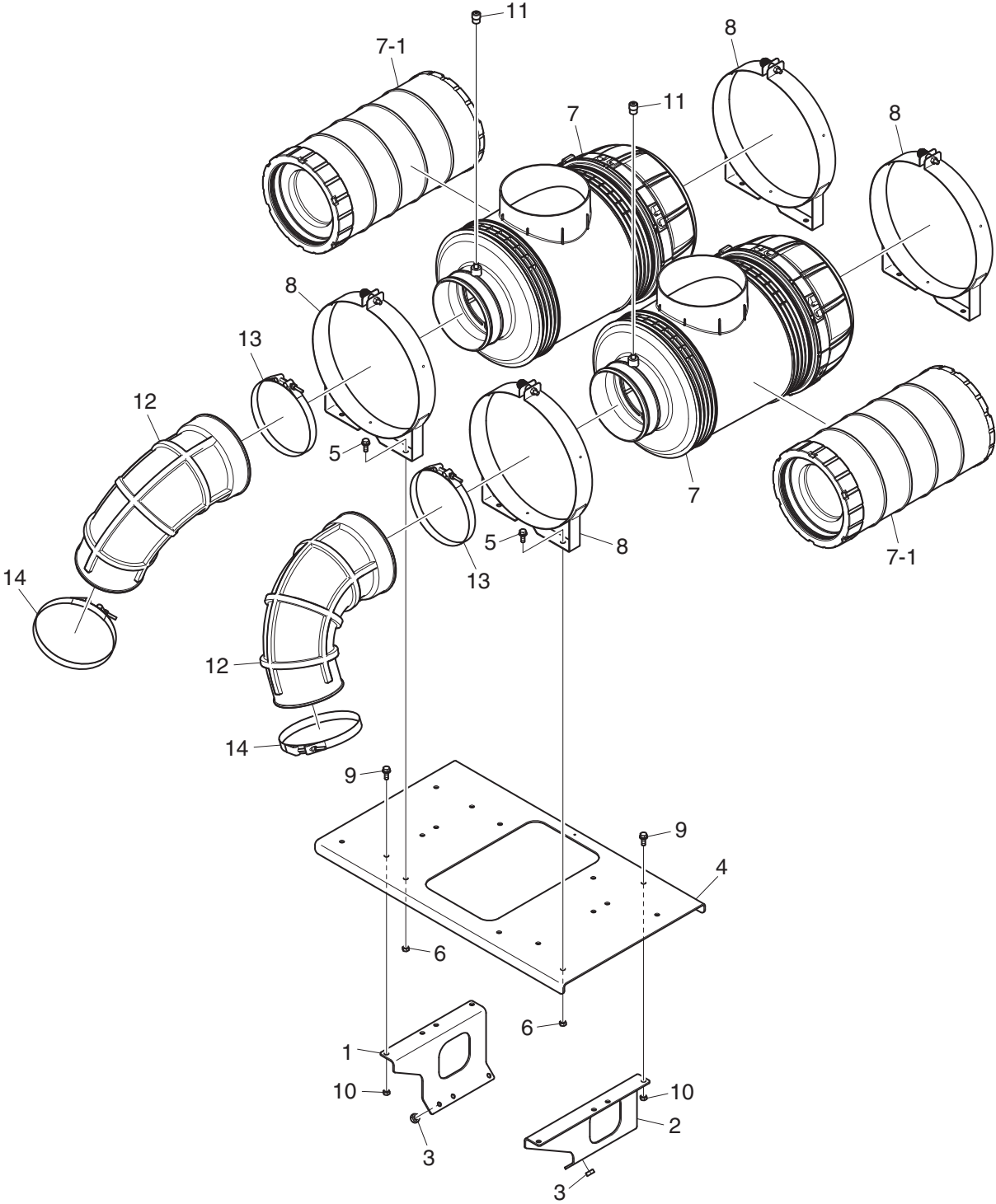
P415-DV22-001/130913

Fig.8900 ACCESSORIES(1)



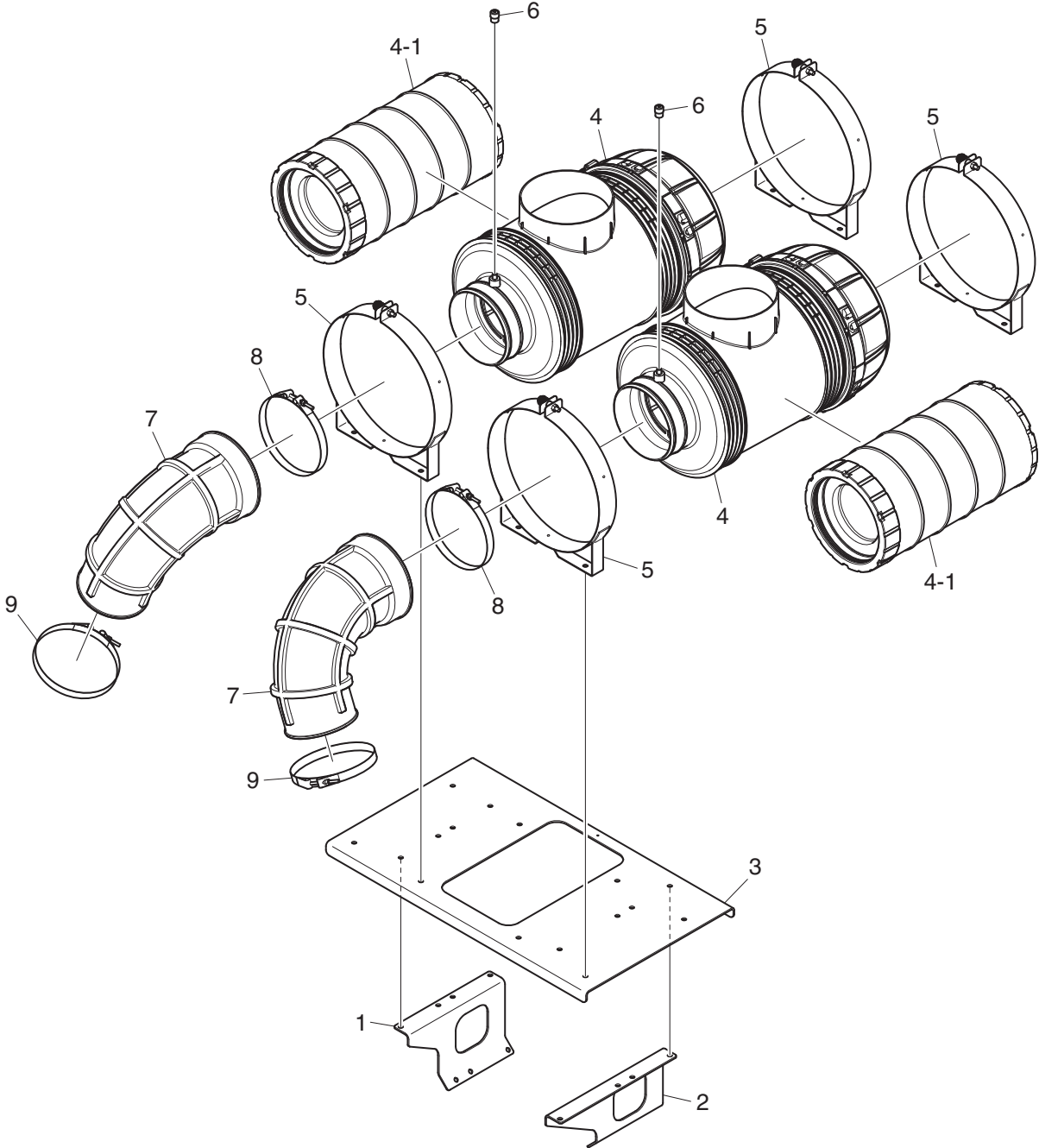
Q890-DL11-057/121016

Fig.8900 ACCESSORIES(2)



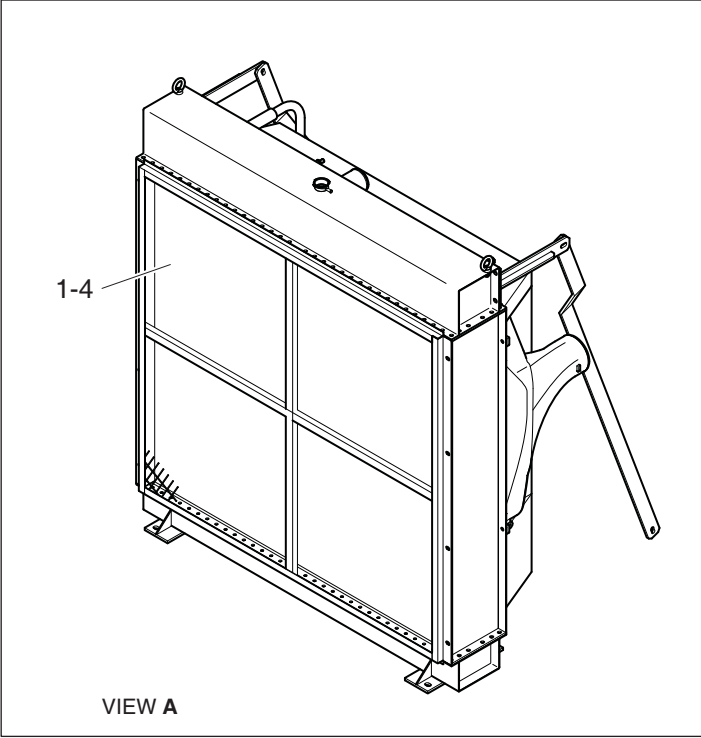
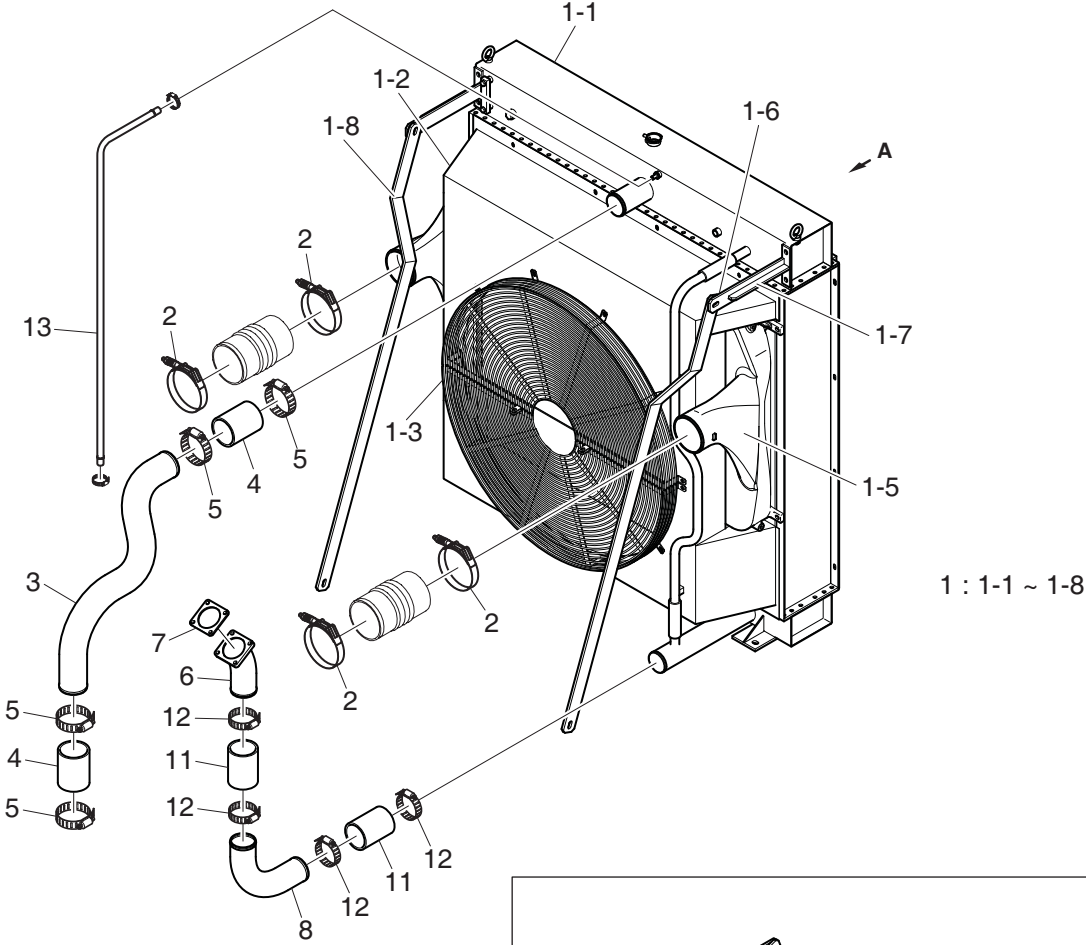
Q890-DV18-027/140102

Fig.8900 ACCESSORIES(3)



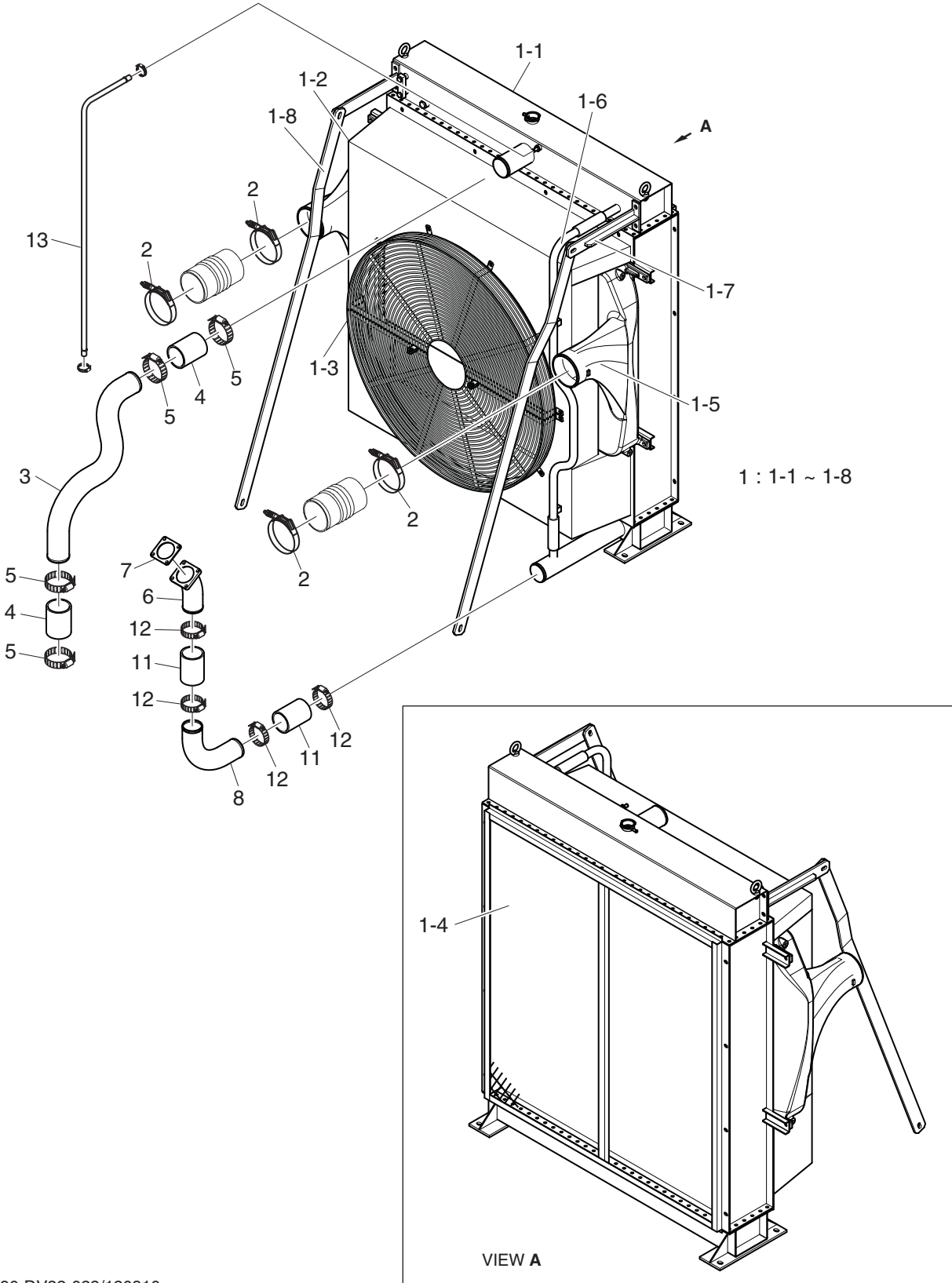
Q890-DV18-028/140102

Fig.8900 ACCESSORIES(4)



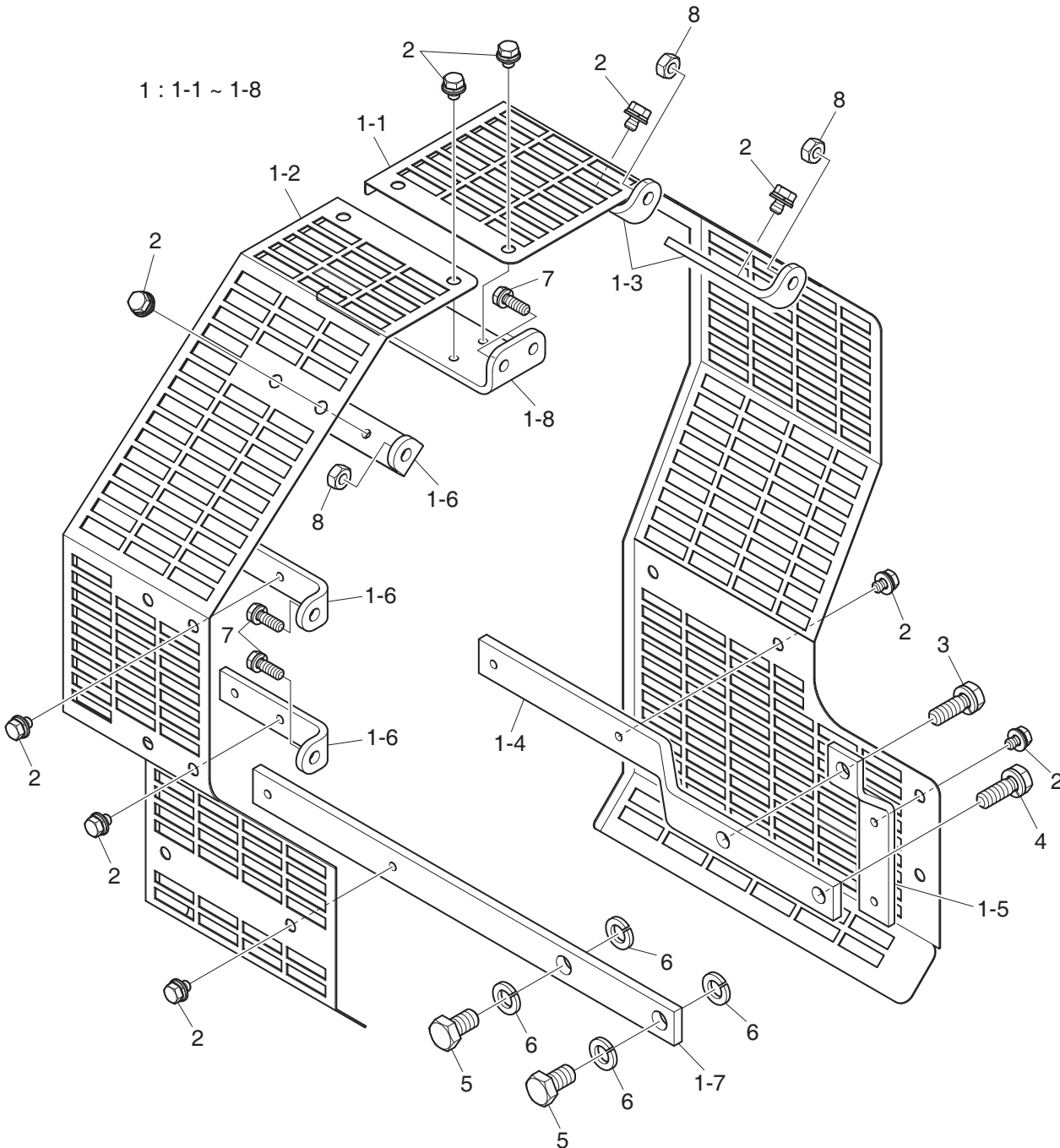
Q890-DV22-027/120817

Fig.8900 ACCESSORIES(5)



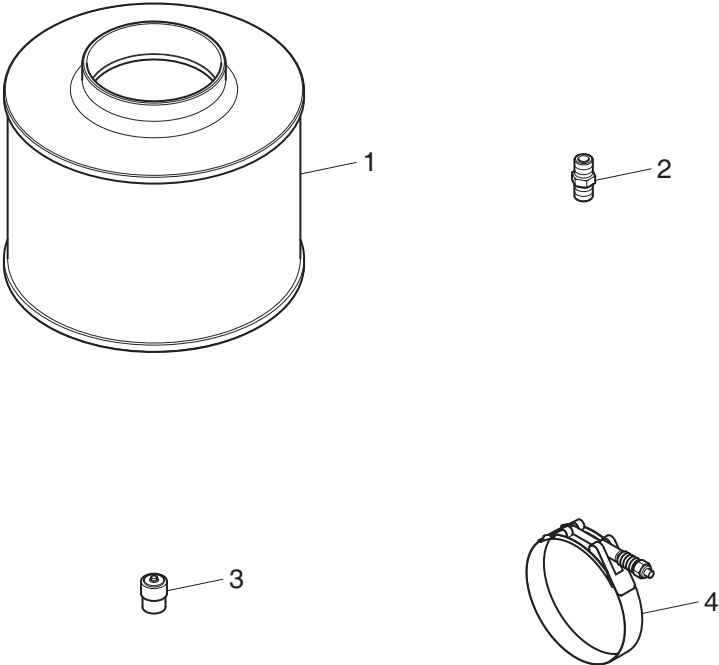
Q890-DV22-028/120810

Fig.8900 ACCESSORIES(6)



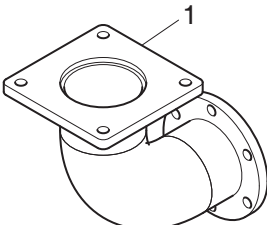
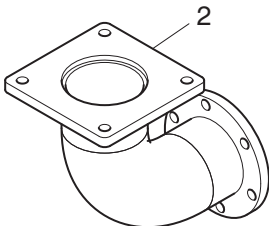
Q890-DV22-033/130913

Fig.8900 ACCESSORIES(7)



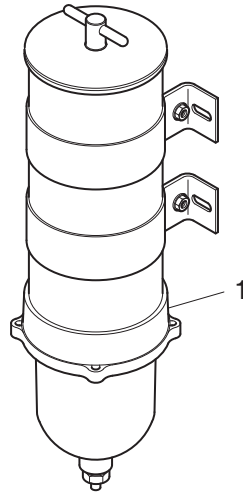
Q890-DV22-036/130913

Fig.8900 ACCESSORIES(8)



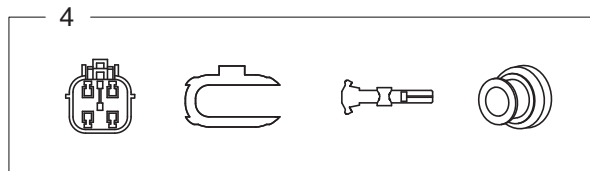
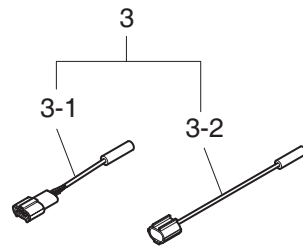
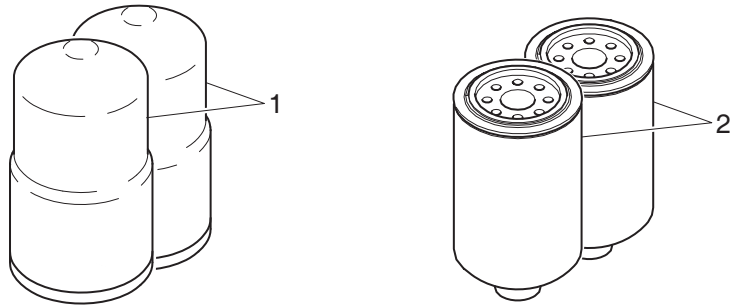
Q890-DV22-038/130913

Fig.9880 SPARE PART(1)



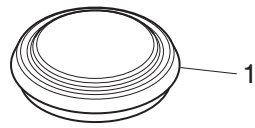
Q988-DV18-006/130913

Fig.9880 SPARE PART(2)



Q988-DV22-003/130913

Fig.9880 SPARE PART(3)



Q988-DV22-012/130913